



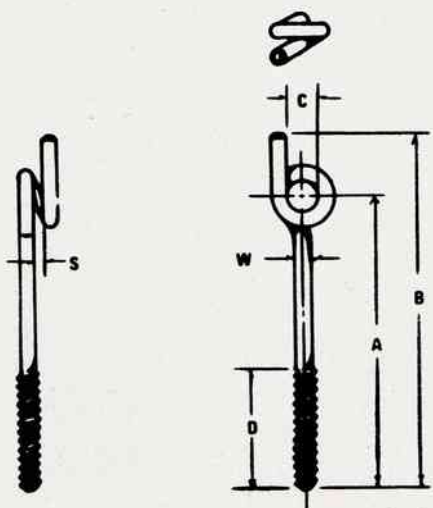
M - B INDUSTRIES, INC.

SERVING INDUSTRY SINCE 1894

9205 ROSMAN HWY., P.O. BOX 1118, ROSMAN, NC 28772

PHONE (828) 862-4201, FAX (828) 862-4297

Thank you for downloading/viewing our Pigtail Thread guide Catalog.
As you are browsing the publication note the yellow highlighted
part numbers. These are commonly in stock as of 7-30-2012. Feel
free to contact our Sales Manager Mike Powell
Email: powellm@m-bindustries.com
Phone: (828) 862-5403



Right Hand Round Eye Pigtail							
Machine Screw Threaded Shank					Commonly in Stock		
Part #	W	A	B	C	D	THRD	S
170	.105	1-1/4	1-9/16	3/16	1/8	4-36	1/16
2724	.105	1-3/8	1-3/4	1/8	13/16	4-36	1/16
2982	.105	1-5/8	2	1/8	3/4	5-40	1/16
2894	.105	1-5/8	2-3/16	1/8	13/16	4-36	1/16
2915	.105	2-1/8	2-1/2	1/8	1/2	4-36	1/16
6498	.105	2-1/8	2-1/2	1/8	1/2	5-40	1/16
9460	.115	1	1-3/8	1/8	1/2	6-32	1/16
8463	.115	1	1-1/2	3/16	3/8	6-32	1/16
8351	.115	1-3/16	1-9/16	1/8	1/2	6-32	1/16
9142	.115	1-5/8	2-1/4	3/16	1-1/8	6/32	1/16
8964	.115	1-7/8	2-1/4	3/16	5/8	6/32	1/16
8363	.115	1-7/8	2-1/4	3/16	5/8	6-32	1/16
3958	.120	13/16	1-3/16	1/8	1/2	5-40	1/16
1365	.120	13/16	1-1/4	3/16	7/16	5-40	1/16
8865	.120	7/6	1-1/4	1/4	3/8	5-40	1/16
3244	.120	1	1-3/8	3/16	1/2	5-40	1/16
1524	.120	1-1/8	1-9/16	3/16	1/2	5-40	1/16
3083	.120	1-1/8	1-5/8	3/8	1/2	5-40	1/16
3225	.120	1-1/8	1-11/16	3/8	1/2	5-40	1/16
9412	.120	1-1/4	1-3/4	3/16	3/4	5-40	1/16
3200	.120	1-1/4	1-3/4	1/8	13/16	5-40	1/16
7513	.120	1-1/4	1-3/4	5/64	13/16	5/40	1/16
1422	.120	1-1/4	1-3/4	1/8	13/16	5/40	1/16
3840	.120	1-5/16	1-13/16	1/4	3/4	5-40	1/16
3838	.120	1-1/2	2	1/4	1-1/8	5-40	1/16
2837	.120	1-5/8	2-1/16	3/16	1	5-40	1/16
2109	.120	1-5/8	2-3/16	3/16	1	5-40	1/16

Right Hand Round Eye Pigtail							
Machine Screw Threaded Shank					Commonly in Stock		
Part #	W	A	B	C	D	THRD	S
3887	.120	1-11/16	2-3/16	3/16	3/4	5-40	1/16
1676	.120	1-11/16	2-3/16	3/16	3/4	5-40	1/16
3794	.120	1-3/4	2-1/4	5/16	3/4	5-40	1/16
1214	.120	1-3/4	2-5/16	1/8	1	5-40	1/16
6393	.120	2	2-3/8	3/16	1	5-40	1/16
8863	.120	2	2-1/2	3/4	1-1/2	5-40	1/16
9087	.120	2	2-1/2	1/8	1-1/2	5-40	1/16
7668	.120	2-1/16	2-9/16	5/32	1/2	5-40	1/16
3370	.120	2-3/16	2-5/8	5/16	1	5-40	1/16
2466	.120	2-1/4	2-5/8	1/8	1-1/8	5-40	1/16
2893	.120	2-1/4	2-3/4	3/16	3/4	5-40	1/16
1677	.120	2-3/8	2-13/16	3/16	1-1/2	5-40	1/16
2605	.120	2-1/2	3	3/16	1-1/2	5-40	1/16
5479	.120	2-1/2	3	3/16	1-3/4	5-40	1/16
3111	.120	2-5/8	3	1/8	1	5-40	1/16
3301	.120	2-1/2	3	3/16	1-1/2	5-40	1/16
3138	.120	2-3/4	3-1/4	1/4	1	5-40	1-16
8116	.120	2-7/8	3-1/2	1/4	11/16	5-40	1/16
2052	.120	3-1/4	3-3/4	3/16	2-3/4	5-40	1/16
8214	.120	3-9/16	3-15/16	3/16	1/4	5-40	1/16
2964	.120	3-3/16	4-1/16	3/16	1/2	5-40	1/16
2464	.135	3/4	1-1/4	3/16	3/8	6-32	1/16
2033	.135	7/8	1-3/16	3/16	1/2	6-32	1/16
1642	.135	1	1-1/2	3/16	1/4	6-32	1/16
2258	.135	1	1-1/2	3/16	5/8	6-32	1/16
6829	.135	1	1-3/8	3/16	9/16	6-32	1/16
2338	.135	1-1/8	1-1/2	3/16	1/2	6-32	1/16
5384	.135	1-1/8	1-1/2	5/32	11/16	6-32	1/16
8846	.135	1-1/8	1-5/8	1/4	3/8	6-32	1/16
3992	.135	1-1/8	1-5/8	3/8	1/2	6-32	1/16
5853	.135	1-1/8	1-11/16	3/16	1/2	6-32	1/16
5001	.135	1-1/4	1-11/16	3/16	11/16	6-32	1/16
2126	.135	1-1/4	1-3/4	3/16	3/4	6-32	1/16
2679	.135	1-1/4	1-3/4	1/4	3/4	6-32	1/16
5534	.135	1-1/4	1-3/4	3/16	3/16	6-32	1/16
1421	.135	1-5/16	1-3/4	3/16	3/4	6-32	1/16
2857	.135	1-5/16	1-7/8	1/4	3/4	6-32	1/16
1206	.135	1-3/8	1-7/8	3/16	11/16	6-32	1/16
6167	.135	1-3/8	1-7/8	3/16	1	6-32	1/16
6104	.135	1-3/8	1-15/16	5/32	3/4	6-32	1/16
2435	.135	1-7/16	1-7/8	3/16	1/2	6-32	1/16
1291	.135	1-1/2	1-15/16	3/16	3/4	6-32	1/16
1607	.135	1-1/2	2	3/16	1/2	6-32	1/16
9084	.135	1-1/2	2	3/8	3/4	6-32	1/16

Right Hand Round Eye Pigtail							
Machine Screw Threaded Shank					Commonly in Stock		
Part #	W	A	B	C	D	THRD	S
1480	.135	1-9/16	1-15/16	1/8	1-1/16	6-32	1/16
264	.135	1-9/16	2	5/32	1-1/8	6-32	1/16
5178	.135	1-17/32	3-1/2	5/32	1	6-32	1/16
5580	.135	1-5/8	2-1/16	3/16	9/16	6-32	1/16
5749	.135	1-5/8	2-1/8	3/16	15/16	6-32	1/16
7341	.135	1-3/4	2-3/16	3/4	1-1/8	6-32	1/16
1716	.135	1-3/4	2-3/16	3/16	1-3/16	6-32	1/16
7680	.135	1-3/4	2-3/4	3/16	3/16	6-32	1/16
2311	.135	1-13/16	2-1/4	3/16	1	6-32	1/16
5436	.135	1-13/16	3-7/8	5/32	19/32	6-32	1/16
2124	.135	1-7/8	2-3/8	3/16	7/8	6-32	1/16
2840	.135	2	2-1/2	3/16	1-3/8	6-32	1/16
3868	.135	2	2-1/2	3/4	9/16	6-32	1/16
1686	.135	2	2-1/2	3/16	13/16	6-32	1/16
2123	.135	2	2-15/16	3/16	7/8	6-32	1/16
5563	.135	2-1/16	2-1/2	1/8	1-1/2	6-32	1/16
2735	.135	2-1/4	2-11/16	1/4	1-3/4	6-32	1/16
2565	.135	2-1/4	2-11/16	1/4	1-5/8	6-32	1/16
1643	.135	2-1/4	2-3/4	3/16	1-1/4	6-32	1/16
1259	.135	2-1/4	2-13/16	1/8	1-1/4	6-32	1/16
590	.135	2-1/4	2-13/16	3/16	1-13/16	6-32	1/16
1769	.135	3	3-1/2	3/16	1/2	6-32	1/16
6169	.135	3	3-1/2	3/16	2	6-32	1/16
5011	.135	3-3/16	3-9/16	3/16	1-9/16	6-32	1/16
8399	.135	4-1/4	4-3/4	1/4	1/2	6-32	1/16
1687	.135	1-1/4	1-11/16	3/16	5/8	6-36	1/16
1972	.135	1-3/8	1-3/4	3/16	7/8	6-36	1-16
1254	.135	1-3/8	1-13/16	3/16	5/8	6-36	1/16
2101	.135	1-7/16	1-15/16	3/16	3/16	6-36	1/16
2321	.135	1-11/16	2-1/16	3/16	1-1/4	6-36	1/16
3008	.135	1-11/16	2-3/16	9/32	1	6-36	1/16
1638	.135	1-3/4	2-3/16	3/16	13/16	6-36	1/16
9394	.143	1	1-3/8	5-32	1/2	8-32	1/16
5847	.143	1-3/8	1-15/16	3/16	5/8	8-32	1/16
5184	.143	1-1/2	1-15/16	3/16	7/8	8-32	1/16
5021	.143	1-11/16	2-7/32	3/16	7/8	8-32	1/16
7277	.143	1-3/4	2-1/4	3/16	7/8	8-32	1/16
8472	.143	2	2-1/2	3/16	7/8	8-32	1/16
8947	.143	2	2-1/2	3/16	1-3/8	8-32	1/16
8391	.143	2-7/8	3-1/2	7/16	1-1/2	8-32	1/16
5022	.143	3-1/8	3-5/8	3/16	1-1/2	8-32	1/16
8897	.143	3-1/8	3-3/4	7/16	1-3/4	8-32	1/16
7709	.143	3-1/4	3-3/4	3/16	1-9/16	8-32	1/16
1566	.143	3-5/16	3-13/16	7/32	2	8-32	1/16

Right Hand Round Eye Pigtail							
Machine Screw Threaded Shank					Commonly in Stock		
Part #	W	A	B	C	D	THRD	S
5733	.143	4-1/2	5	3/16	1-1/2	8-32	1/16
768	.148	1-1/4	1-5/8	3/16	3/4	7-40	1/16
1467	.148	1-1/4	1-3/4	3/16	5/8	7-40	1/16
779	.148	1-7/16	2	3/16	3/4	7-40	1/16
7755	.148	1-3/4	4-3/4	3/16	3/4	7-40	1/16
1751	.148	2-1/16	2-9/16	3/16	1-1/2	7-40	1/16
2355	.148	2-3/8	2-7/8	3/16	7/8	7-40	1/16
1870	.148	2-1/2	3	3/16	1-1/4	7-40	1/16
6594	.148	2-5/8	3-1/4	5/32	5/8	7-40	1/16
766	.148	3-3/16	3-11/16	1/4	1-1/4	7-40	1/16
5193	.148	3-1/4	3-11/16	3/16	1-1/2	7-40	1/16
1871	.148	3-13/16	4-1/4	3/16	1-1/4	7-40	1/16
3754	.162	13/16	1-1/4	1/4	5/16	8/32	1/16
1155	.162	13/16	1-5/16	3/16	3/8	8/32	1/16
7482	.162	13/16	1-3/8	1/4	3/8	8/32	1/16
5548	.162	7/8	1-5/32	3/16	3/8	8/32	1/16
3071	.162	7/8	1-3/8	1/4	7/16	8/32	1/16
2805	.162	15/16	1-1/2	1/4	3/8	8/32	1/16
7298	.162	1	1-3/8	3/16	3/4	8/32	1/16
6960	.162	1	1-3/8	3/16	3/8	8/32	1/16
5043	.162	1	1-1/2	3/16	1/2	8/32	1/16
7906	.162	1	1-9/16	1/2	5/16	8/32	1/16
5684	.162	1-1/32	1-1/2	7/32	5/8	8/32	1/16
1836	.162	1-1/16	1-7/16	3/16	1/2	8/32	1/16
1613	.162	1-1/16	1-1/2	1/4	1/2	8/32	1/16
1270	.162	1-1/16	1-5/8	3/16	1/2	8/32	1/16
2759	.162	1-1/16	1-5/8	3/8	7/16	8/32	1/16
6068	.162	1-1/16	1-11/16	3/16	1/2	8/32	1/16
6556	.162	1-1/16	1-3/4	3/16	5/8	8/32	1/16
3890	.162	1-1/8	1-5/8	3/16	1/2	8/32	1/16
5434	.162	1-1/8	1-5/8	1/4	5/8	8/32	1/16
1862	.162	1-3/16	1-11/16	1/4	5/8	8/32	1/16
2058	.162	1-3/16	1-3/4	3/16	11/16	8/32	1/16
2448	.162	1-1/4	1-5/8	3/16	3/4	8/32	1/16
5118	.162	1-1/4	1-11/16	3/16	5/8	8/32	1/16
3799	.162	1-1/4	1-11/16	1/4	5/8	8/32	1/16
2029	.162	1-1/4	1-3/4	3/16	7/8	8/32	1/16
5666	.162	1-1/4	1-3/4	1/4	5/8	8/32	1/16
3530	.162	1-1/4	1-3/4	5/16	11/16	8/32	1/16
7847	.162	1-1/4	1-3/4	3/16	1/2	8/32	1/16
3343	.162	1-1/4	1-13/16	1/4	1/2	8/32	1/16
6384	.162	1-1/4	1-15/16	5/16	11/16	8/32	1/16
6155	.162	1-1/4	2-3/4	1/4	1/2	8/32	1/16

Right Hand Round Eye Pigtail							
Machine Screw Threaded Shank					Commonly in Stock		
Part #	W	A	B	C	D	THRD	S
2136	.162	1-9/32	1-21/32	3/16	1	8/32	1/16
2498	.162	1-9/32	1-13/16	1/4	5/8	8/32	1/16
5413	.162	1-9/32	1-13/16	1/4	3/4	8/32	1/16
3026	.162	1-5/16	1-3/4	3/16	7/8	8/32	1/16
1825	.162	1-3/8	1-7/8	3/16	15/16	8/32	1/16
2034	.162	1-3/8	2	3/8	3/4	8/32	1/16
3341	.162	1-13/32	1-3/4	3/16	7/8	8/32	1/16
2773	.162	1-7/16	1-7/8	3/16	7/8	8/32	1/16
1655	.162	1-1/2	1-7/8	3/16	1/2	8/32	1/16
2678	.162	1-1/2	1-7/8	3/16	1-1/8	8/32	1/16
1308	.162	1-1/2	1-15/16	3/16	7/8	8/32	1/16
1320	.162	1-1/2	2	3/16	5/8	8/32	1/16
5393	.162	1-1/2	2	3/16	1	8/32	1/16
1727	.162	1-1/2	2-1/8	1/4	7/8	8/32	1/16
1906	.162	1-1/2	2-1/8	1/4	1	8/32	1/16
8829	.162	1-1/2	2-3/16	1/2	1	8/32	1/16
1289	.162	1-9/16	2-3/16	1/4	1	8/32	1/16
6333	.162	1-9/16	2-3/16	5/8	5/8	8/32	1/16
6142	.162	1-5/8	2	3/16	13/16	8/32	1/16
3586	.162	1-21/32	2-1/16	3/16	3/4	8/32	1/16
5132	.162	1-21/32	2-3/32	5/16	11/16	8/32	1/16
3891	.162	1-21/32	2-1/8	5/16	7/8	8/32	1/16
2562	.162	1-11/16	2-1/8	3/16	1	8/32	1/16
3470	.162	1-11/16	2-3/16	9/32	1	8/32	1/16
2873	.162	1-11/16	2-1/4	1/2	1	8/32	1/16
1521	.162	1-11/16	2-3/8	3/8	1-1/8	8/32	1/16
3001	.162	1-3/4	2-1/16	1/4	3/4	8/32	1/16
6492	.162	1-3/4	2-1/8	3/16	1-1/4	8/32	1/16
6729	.162	1-3/4	2-1/8	3/16	1-3/8	8/32	1/16
6430	.162	1-3/4	2-1/8	3/16	1-1/4	8/32	1/16
2687	.162	1-3/4	2-1/4	3/16	5/8	8/32	1/16
1590	.162	1-3/4	2-1/4	3/16	1-1/4	8/32	1/16
7310	.162	1-3/4	2-1/4	1/4	1-1/8	8/32	1/16
5392	.162	1-3/4	2-1/4	5/16	1-1/4	8/32	1/16
7226	.162	1-3/4	2-3/16	5/16	1-3/16	8/32	1/16
180	.162	1-3/4	2-5/16	3/16	1-1/8	8/32	1/16
1628	.162	1-3/4	2-3/8	3/16	1-1/8	8/32	1/16
2848	.162	1-3/4	2-3/8	1/4	1-1/8	8/32	1/16
2778	.162	1-3/4	2-5/8	1	3/4	8/32	1/16
6310	.162	1-3/4	3-1/4	1/4	3/4	8/32	1/16
2474	.162	1-25/32	2-3/16	3/16	1-1/8	8/32	1/16
281	.162	1-29/32	2-3/8	3/16	1-3/4	8/32	1/16
2239	.162	1-29/32	2-7/16	1/4	31/32	8/32	1/16
5231	.162	1-59/64	2-3/8	7/32	1-7/16	8/32	1/16
6233	.162	1-7/8	2-3/8	7/32	1	8/32	1/16

Right Hand Round Eye Pigtail							
Machine Screw Threaded Shank					Commonly in Stock		
Part #	W	A	B	C	D	THRD	S
6909	.162	1-7/8	2-1/2	7/32	1-1/4	8/32	1/16
3313	.162	1-15/16	2-5/8	1/2	7/8	8/32	1/16
3006	.162	2	2-1/2	1/4	1/2	8/32	1/16
2665	.162	2	2-1/2	1/4	5/8	8/32	1/16
2671	.162	2	2-1/2	1/4	1-1/8	8/32	1/16
2015	.162	2	2-1/2	1/4	1-1/2	8/32	1/16
7592	.162	2	2-1/2	1/4	3/4	8/32	1/16
7179	.162	2	2-1/2	3/16	1-7/16	8/32	1/16
2507	.162	2	2-9/16	3/8	1-1/4	8/32	1/16
6126	.162	2	2-5/8	3/8	1/2	8/32	1/16
6488	.162	2	3-1/16	1/4	1-1/2	8/32	1/16
5562	.162	2-1/16	2-9/16	3/8	1-1/2	8/32	1/16
1399	.162	2-1/8	2-5/8	1/4	1/2	8/32	1/16
5539	.162	2-1/8	2-5/8	3/16	1-1/2	8/32	1/16
9139	.162	2-1/8	2-5/8	1/4	1	8/32	1/16
2246	.162	2-3/16	2-1/2	3/16	1	8/32	1/16
2220	.162	2-3/16	2-5/8	3/16	1	8/32	1/16
5243	.162	2-1/4	2-11/16	1/4	3/4	8/32	1/16
6375	.162	2-1/4	2-27/32	1-4	27/32	8/32	1/16
2392	.162	2-1/4	2-3/4	1/4	1	8/32	1/16
8712	.162	2-1/4	2-3/4	1/4	1-1/8	8/32	1/16
2839	.162	2-3/8	2-15/16	3/16	1-1/2	8/32	1/16
8519	.162	2-3.8	3	3/16	1	8/32	1/16
2799	.162	2-3/8	3	1/4	1	8/32	1/16
3517	.162	2-3/8	3	1/2	1	8/32	1/16
968	.162	2-7/16	3	3/16	1	8/32	1/16
2346	.162	2-1/2	3	3/16	1	8/32	1/16
968	.162	2-7/16	3	3/16	1	8/32	1/16
2346	.162	2-1/2	3	3/16	1	8/32	1/16
1540	.162	2-1/2	3	3/16	1-1/2	8/32	1/16
3037	.162	2-1/2	3	1/4	3/4	8/32	1/16
2695	.162	2-1/2	3	5/16	1-1/4	8/32	1/16
8517	.162	2-1/2	3-1/8	5/8	7/8	8/32	1/16
2506	.162	2-1/2	3-1/8	3/8	1-1/4	8/32	1/16
3866	.162	2-1/2	3-3/16	3/4	1-1/4	8/32	1/16
8858	.162	2-1/2	3-1/4	1/2	1/2	8/32	1/16
5016	.162	2-12	3-1/4	1/2	1-1/4	8/32	1/16
5149	.162	2-1/2	3-1/4	1/2	1-5/8	8/32	1/16
5195	.162	2-11/16	3-1/16	3/16	1	8/32	1/16
1349	.162	2-11/16	3-1/8	3/16	1-1/2	8/32	1/16
3851	.162	2-11/16	3-1/8	3/16	1-1/2	8/32	1/16
3986	.162	2-3/4	3-1/8	3/16	1-1/2	8/32	1/16
7228	.162	2-3/4	3-1/8	3/16	1-3/8	8/32	1/16
5558	.162	2-3/4	3-1/8	3/16	1-3/8	8/32	1/16
1849	.162	2-3/4	3-1/4	3/16	1-1/2	8/32	1/16

Right Hand Round Eye Pigtail							
Machine Screw Threaded Shank					Commonly in Stock		
Part #	W	A	B	C	D	THRD	S
3677	.162	2-3/4	3-5.16	3/16	1-1/2	8/32	1/16
1411	.162	2-3/4	3-5/16	5/16	1-1/2	8/32	1/16
5744	.162	2-3/4	3-3/8	3/16	1-1/8	8/32	1/16
3078	.162	2-15/16	3-3/8	3/16	1-1/2	8/32	1/16
2380	.162	3-1/4	3-13/16	9/32	2	8/32	1/16
9347	.162	3-1/4	3-13/16	9/32	3/4	8/32	1/16
1802	.162	3-3/8	4	5/16	1	8/32	1/16
1824	.162	3-7/16	3-15/16	3/16	1-3/8	8/32	1/16
3636	.162	3-15/32	3-31/32	1/4	1	8/32	1/16
6405	.162	3-1/2	3-7/8	3/16	1-1/4	8/32	1/16
6900	.162	3-1/2	3-7/8	3/16	1-3/8	8/32	1/16
8874	.162	3-1/2	4	1/4	1	8/32	1/16
5935	.162	3-11/16	3-7/8	3/16	1	8/32	1/16
1639	.162	3-11/16	4-1/4	3/8	1-1/8	8/32	1/16
1798	.162	4-1/2	4-5/16	3/16	1-3/4	8/32	1/16
2378	.162	4-1/2	4-7/8	3/16	5/8	8/32	1/16
5863	.162	4-1/2	5	1/4	1-1/8	8/32	1/16
1961	.162	4-3/4	5-1/4	3/16	1-3/4	8/32	1/16
7161	.162	4-7/8	5-3/8	3/16	1-3/4	8/32	1/16
3509	.162	7-1/2	8	1/4	1	8-32	1/16
3402	.162	25/32	1-3/4	3/16	3/8	10-24	1/16
8949	.162	1	1-1/2	7/32	1/2	10-24	1/16
2784	.162	1-1/4	1-3/4	3/16	3/4	10-24	1/16
3921	.162	1-1/4	1-13/16	5/16	13/16	10-24	1/16
7518	.162	1-1/14	1-3/4	1/4	1/2	10-24	1/16
3681	.162	1-5/16	1-13/16	3/16	7/8	10-24	1/16
8291	.162	1-11/32	1-27/32	3/16	3/4	10-24	1/16
3693	.162	1-13/32	1-7/8	3/16	3/4	10-24	1/16
9331	.162	1-1/2	2-1/16	1/4	1/2	10-24	1/16
2200	.162	1-9/16	2	3/16	13/16	10-24	1/16
1807	.162	1-5/8	2-3/16	5/32	1	10-24	1/16
6082	.162	1-5/8	2-1/8	3/16	7/8	10-24	1/16
8264	.162	1-11/16	2-3/8	1/4	15/16	10-24	1/16
3201	.162	1-3/4	2-3/8	3/16	1	10-24	1/16
5995	.162	1-3/4	2-3/8	1/4	1-1/8	10-24	1/16
3971	.162	1-25/32	2-5/16	3/16	1-1/8	10-24	1/16
8237	.162	1-13/16	2-3/4	1/2	9/16	10-24	1/16
7432	.162	1-7/8	2-3/8	3/16	1-1/4	10-24	1/16
7043	.162	1-15/16	2-7/16	1/4	1-1/8	10-24	1/16
5510	.162	1-15/16	2-7/16	9/32	1-1/8	10-24	1/16
5920	.162	1-15/16	2-7/16	3/8	1-1/8	10-24	1/16
9404	.162	1-15/16	2-11/16	3/4	1	10-24	1/16
5445	.162	2	2-3/8	3/16	3/4	10-24	1/16
5642	.162	2	2-1/2	3/16	1-3/8	10-24	1/16
9195	.162	2-1/16	2-1/2	1/4	15/16	10-24	1/16

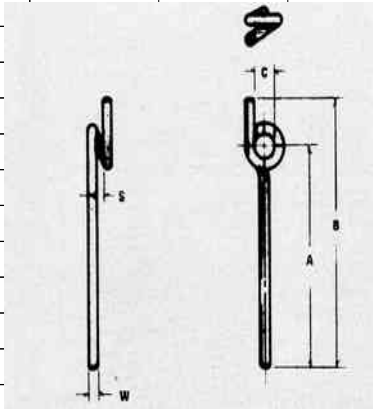
Right Hand Round Eye Pigtail							
Machine Screw Threaded Shank					Commonly in Stock		
Part #	W	A	B	C	D	THRD	S
8091	.162	2-1/16	2-3/8	1/4	13/16	10-24	1/16
6003	.162	2-1/16	2-3/8	1/4	13/16	10-24	1/16
5447	.162	2-3/8	2-7/8	7/32	1-3/4	10-24	1/16
3628	.162	2-3/8	3-1/8	5/8	3/4	10-24	1/16
7221	.162	2-13/32	2-15/16	5/16	1-1/4	10-24	1/16
7151	.162	2-21/32	3-5/32	3/16	1	10-24	1/16
9513	.162	2-3/4	3-1/8	3/16	1	10-24	1/16
7353	.162	2-3/4	3-1/4	3/16	2	10-24	1/16
8052	.162	2-3/4	3-1/4	3/16	1	10-24	1/16
9278	.162	3	3-15/16	3/4	1-1/4	10-24	1/16
6987	.162	3	4	1/2	1	10-24	1/16
8267	.162	3	3-1/2	5/16	3/4	10-24	1/16
5239	.162	3-13/16	3-15/16	3/16	7/8	10-24	1/16
6810	.162	4-7/8	5-5/16	1/4	2-5/8	10-24	1/16
5247	.162	5-5/32	5-11/16	3/16	1	10-24	1/16
9117	.162	7-1/4	8-7/8	2	2	10-24	1/16
5268	.162	8-21/32	9-1/32	3/16	1-1/8	10-24	1/16
1971	.177	27/32	1-3/8	1/4	3/8	10-24	1/16
2590	.177	1	1-5/8	1-4	1/2	10-24	1/16
9161	.177	1	1-5/8	3/16	1/2	10-24	1/16
3973	.177	1-1/8	1-1/2	1/4	1/2	10-24	1/16
1739	.177	1-1/8	1-11/16	1/4	1/2	10-24	1/16
3989	.177	1-3/16	1-3/4	7/32	1/2	10-24	1/16
6050	.177	1-1/4	1-3/4	5/16	3/4	10-24	1/16
3168	.177	1-1/4	1-3/4	1/4	3/4	10-24	1/16
1477	.177	1-5/16	1-7/8	5/16	7/8	10-24	1/16
1738	.177	1-7/16	2	1/4	1/2	10-24	1/16
1252	.177	1-1/2	2	3/16	3/4	10-24	1/16
1596	.177	1-1/2	2-1/16	1/4	1/2	10-24	1/16
5877	.177	1-1/2	2-1/16	1/4	9/16	10-24	1/16
2746	.177	1-1/2	3	1/4	9/16	10-24	1/16
3371	.177	1-5/8	2-1/16	1/4	9/16	10-24	1/16
1345	.177	1-11/16	2-1/4	5/16	7/8	10-24	1/16
2170	.177	1-11/16	2-1/4	5/16	1-1/16	10-24	1/16
5680	.177	1-13/16	2-5/16	3/16	1	10-24	1/16
5302	.177	1-13/16	2-3/8	7/32	1	10-24	1/16
5524	.177	1-13/16	2-1/2	9/16	1	10-24	1/16
5525	.177	2	2-5/8	3/16	1	10-24	1/16
1344	.177	2-1/8	2-11/16	5/16	1	10-24	1/16
5514	.177	2-1/8	2-11/16	3/16	1-1/16	10-24	1/16
5526	.177	2-1/8	2-3/4	3/16	1	10-24	1/16
5237	.177	2-1/8	2-3/4	5/16	1-1/8	10-24	1/16
2880	.177	2-1/8	3	1/4	1-1/2	10-24	1/16
9219	.177	2-3/16	2-3/4	5/16	1-3/8	10-24	1/16

Right Hand Round Eye Pigtail							
Machine Screw Threaded Shank					Commonly in Stock		
Part #	W	A	B	C	D	THRD	S
128	.177	2-7/32	2-15/16	1/4	7/8	10-24	1/16
3171	.177	2-1/4	2-7/8	1/4	1-1/4	10-24	1/16
3447	.177	2-1/4	3	1/2	1-1/4	10-24	1/16
2332	.177	2-3/8	2-7/8	1/4	1/2	10-24	1/16
3238	.177	2-3/8	2-7/8	1/4	7/8	10-24	1/16
2234	.177	2-3/8	2-15/16	5/16	1-1/4	10-24	1/16
8485	.177	2-1/2	3	1/4	1/2	10-24	1/16
3024	.177	2-1/2	3-1/8	1/4	1-1/8	10-24	1/16
3464	.177	2-3/4	3-1/4	1/4	1	10-24	1/16
2118	.177	2-3/4	3-1/4	1/4	1-3/4	10-24	1/16
2927	.177	2-3/4	3-1/4	5/16	1-1/4	10-24	1/16
3161	.177	2-3/4	3-3/8	5/16	1-1/4	10-24	1/16
3096	.177	3	3-7/16	1/4	9/16	10-24	1/16
5527	.177	3	3-5/8	3/16	1-1/4	10-24	1/16
238	.177	3-3/16	3-13/16	1/4	2-1/4	10-24	1/16
8765	.177	3-1/4	3-3/4	1/2	2-5/8	10-24	1/16
2074	.177	3-1/4	3-3/4	5/16	2-5/8	10-24	1/16
2365	.177	3-3/8	4	1/4	7/8	10-24	1/16
1329	.177	3-1/2	4	1/4	2-1/2	10-24	1/16
6800	.177	3-1/2	4-1/16	9/32	1	10-24	1/16
1602	.177	3-1/2	4-1/16	5/16	2-1/2	10-24	1/16
1278	.177	3-1/2	4-1/16	5/16	3/4	10-24	1/16
5663	.177	3-3/4	4-1/4	1/4	1-1/2	10-24	1/16
840	.177	3-7/8	4-3/8	3/16	2-11/16	10-24	1/16
2024	.177	3-7/8	4-7/16	9/32	2-5/8	10-24	1/16
5484	.177	4	4-5/8	3/16	3	10-24	1/16
3723	.177	4-1/4	4-15/16	1-4	1-1/2	10-24	1/16
5363	.177	4-1/4	5-1/4	3/16	1/2	10-24	1/16
1313	.177	4-3/8	5-1/4	3-1/2	3-1/2	10-24	1/16
5442	.177	4-1/2	5	1/4	7/8	10-24	1/16
2228	.177	4-21/32	5-3/16	5/16	1	10-24	1/16
9067	.177	4-3/4	5-3/8	3/8	4	10-24	1/16
2154	.177	5-5/32	5-11/16	5-16	1	10-24	1/16
3070	.177	8	8-7/16	1/4	9/16	10-24	1/16
1426	.177	1-1/4	1-3/4	1/4	3/4	10-32	1/16
8659	.177	1-11/16	2-1/4	5/16	1-1/16	10-32	1/16
5202	.177	1-13/16	2-7/16	1/4	15/16	10-32	1/16
1726	.177	1-7/8	2-7/16	5/16	3/4	10-32	1/16
9071	.177	1-7/8	2-1/2	3/16	1-1/8	10-32	1/16
1460	.177	1-15/16	2-3/8	1/4	1-3/8	10-32	1/16
83	.177	4-1/8	4-13/16	13/16	1-1/4	10-32	1/16
2397	.177	4-3/16	4-3/16	3/16	1-3/8	10-32	1/16
2383	.177	5-11/16	6-15/16	3/16	1-3/8	10-32	1/16
2511	.177	7-1/4	8	1/2	2	10-32	1/16

Right Hand Round Eye Pigtail							
Machine Screw Threaded Shank					Commonly in Stock		
Part #	W	A	B	C	D	THRD	S
1180	.187	1-15/16	2-7/16	1/4	3/4	10-24	1/16
6397	.187	2	2-11/16	1/2	7/8	10-24	1/16
7466	.187	2-1/8	2-7/8	3/4	3/4	10-24	1/16
8792	.187	2-3/4	3-1/2	5/8	1-1/4	10-24	1/16
6681	.187	3-1/4	4-1/8	1/2	1-1/4	10-24	1/16
9188	.187	7	7-7/8	1/2	4	10-24	1/16
3919	.187	8-7/8	9-3/4	1/4	1	10-24	1/16
5319	.187	11-7/8	12-3/4	1/4	1	10-24	1/16
1893	.187	1-1/4	1-7/8	1/4	11/16	10-32	1/16
3747	.187	1-5/16	1-3/4	1/4	7/8	10-32	1/16
1164	.187	1-3/8	1-7/8	1/4	3/4	10-32	1/16
1165	.187	1-5/8	2-1/8	1/4	3/4	10-32	1/16
7503	.187	1-3/4	2-1/8	3/16	1-1/4	10-32	1/16
6421	.187	1-3/4	2-1/4	7/32	13/16	10-32	1/16
1892	.187	1-3/4	2-1/4	1/4	11/16	10-32	1/16
1166	.187	1-7/8	2-3/8	1/4	3/4	10-32	1/16
6174	.187	2	2-5/8	3/8	1	10-32	1/16
8218	.187	2-3/8	3	1/4	1-1/2	10-32	1/16
7956	.187	2-1/2	3-1/8	3/16	5/8	10-32	1/16
9423	.187	2-5/8	3	3/16	2	10-32	1/16
8362	.187	3	3-9/16	1/4	1	10-32	1/16
7893	.187	3-1/4	3-13/16	9/32	2	10-32	1/16
8190	.187	3-5/8	4-1/4	1/4	2	10-32	1/16
8729	.187	3-3/4	5	1-5/8	1-1/4	10-32	1/16
6674	.187	4	4-9/16	1/4	3/4	10-32	1/16
1177	.187	5-3/4	6-11/16	1/4	3/4	10-32	1/16
9086	.187	6	6-5/8	3/16	2	10-32	1/16
1179	.187	7	7-7/8	1/4	3/4	10-32	1/16
9085	.187	8	8-5/8	3/16	2	10-32	1/16
7739	.250	1-1/4	1-7/8	1/4	5/8	1/4-20	1/16
6780	.250	1-1/2	3-1/2	5/16	1	1/4-20	1/16
6475	.250	1-3/4	4-1/4	5/16	1	1/4-20	1/16
2060	.250	1-13/16	2-3/8	1/4	1-1/4	1/4-20	1/16
7071	.250	1-7/8	2-1/2	1/4	7/8	1/4-20	1/16
2607	.250	2	2-11/16	1/4	1	1/4-20	1/16
1828	.250	2	2-3/4	1/2	3/4	1/4-20	1/16
9154	.250	2-1/2	3-1/8	1/4	1-1/4	1/4-20	1/16
8157	.250	2-1/2	3-1/4	1/2	1-1/2	1/4-20	1/16
5528	.250	2-1/2	3-1/4	3/8	1-1/2	1/4-20	1/16
5402	.250	2-7/8	3-3/4	1/2	1-1/2	1/4-20	1/16
2372	.250	3	3-3/4	1/2	1	1/4-20	1/16
9413	.250	3	3-3/4	1/2	2	1/4-20	1/16

Right Hand Round Eye Pigtail							
Machine Screw Threaded Shank					Commonly in Stock		
Part #	W	A	B	C	D	THRD	S
8304	.250	4	4-3/4	1/2	1-1/2	1/4-20	1/16
8057	.250	4-3/4	7	2	2-1/2	1/4-20	1/16
8077	.250	7	7-3/4	1/2	2	1/4-20	1/16
8698	.120	1-5/16	1-3/4	1/8	5/8	6-32	1/16
8490	.120	1-1/2	2	3/16	1	6-32	1/16
7885	.125	3/4	1-1/8	1/8	11/32	5-40	1/16
6765	.135	1-1/2	2	1/4	1	6/40	1/16
9035	.148	1-1/2	2	1/8	1	8/32	1/16
500	.187	3-1/4	3-13/16	1/4	2-5/16	12-24	1/16
2961	.203	2-3/8	3	5/16	7/8	12-24	1/16
1763	.203	2-9/16	3-1/8	3/16	1-1/4	12-24	1/16
5577	.209	1-15/16	2-1/2	1/4	1-5/16	1/4-20	1/16
3452	.212	1-1/4	1-7/8	5/16	3/4	12-24	1/16

Right Hand Round Eye Pigtail-Plain Shank						Commonly in Stock		
Part #	W	A	B	C	S			
853	.148	2-1/2	3-1/8	5/16	1/16			
1045	.148	1-1/8	1-5/8	1/4	1/16			
1194	.148	2	2-9/16	3/16	1/16			
1217	.162	1-11/16	2-1/4	3/16	1/16			
1245	.091	2	2-5/8	3/16	1/16			
1279	.135	2-1/2	3	3/16	1/16			
1331	.148	1-1/2	2-1/8	3/16	1/16			
1410	.105	1-3/8	1-13/16	3/16	1/16			
1533	.120	4	4-1/2	5/16	1/16			
1634	.120	4-11/16	5-3/16	5/16	1/16			
1649	.148	3-3/16	3-3/4	3/16	1/16			
1732	.120	1	1-1/2	3/16	1/16			
1754	.120	3-11/16	4-3/16	5/16	1/16			
1760	.120	4-1/4	4-11/16	3/16	1/16			
1921	.148	4-5/16	4-13/16	5/16	1/16			
1986	.120	4-3/16	5-1/2	1	1/16			
1987	.120	4-3/16	5-3/8	1-1/4	1/16			
2062	.135	2-7/16	2-15/16	1/4	1/16			
2163	.091	1-5/16	1-3/4	1/8	1/16			
2167	.120	2-1/2	3	1/4	1/16			
2185	.120	1-1/8	1-5/8	1/4	1/16			
2195	.135	2-5/8	3-1/16	1/4	1/16			
2252	.128	3-5/8	4-1/16	1/2	1/16			
2275	.120	2-7/8	3-5/16	5/16	1/16			
2287	.120	2-1/2	2-15/16	3/16	1/16			
2296	.148	1-3/4	2-13/32	3/16	1/16			
2343	.091	5-3/4	6-3/16	7/16	1/16			
2409	.120	1-3/8	1-3/4	1/8	1/16			
2454	.120	2-3/4	3-1/4	1/8	1/16			
2542	.120	2-1/2	3-1/8	7/32	1/16			
2558	.128	3-1/2	4-3/16	1/2	1/16			
2566	.120	1-7/16	1-13/16	3/16	1/16			
2599	.162	1-1/4	1-7/8	3/16	1/16			
2614	.091	1-1/4	1-11/16	3/16	1/16			
2618	.120	4-5/8	5-1/2	1	1/16			
2654	.135	4-1/4	4-3/4	1/4	1/16			
2672	.128	1-5/8	2-1/4	3/16	1/16			
2709	.148	5-7/16	5-7/8	5/16	1/16			
2717	.135	1-1/4	1-5/8	3/16	1/16			
2834	.148	2/3/2004	3-1/4	5/16	1/16			
2847	.128	4-5/8	5-1/8	1/4	1/16			
2885	.120	3-1/16	3-1/2	1/4	1/16			
2957	.162	10-1/2	11	3/16	1/16			
2962	.091	1-3/4	2-3/8	3/16	1/16			
3004	.128	4-1/4	4-3/4	1/4	1/16			
3022	.120	6-1/2	7	5/16	1/16			
3170	.162	1-1/4	1-3/4	1/4	1/16			



Right Hand Round Eye Pigtail-Plain Shank						Commonly in Stock		
Part #	W	A	B	C	S			
3172	.120	4-1/8	4-3/4	5/8	1/16			
3173	.128	2-1/8	2-3/4	1/4	1/16			
3218	.120	2-9/16	3	1/2	1/16			
3224	.135	2-3/4	3-1/4	3/16	1/16			
3309	.148	2-3/8	2-7/8	3/16	1/16			
3324	.120	2-15/16	3-1/2	5/16	1/16			
3382	.162	3/4	1-11/16	3/8	1/16			
3466	.162	1-9/16	2-3/16	1/4	1/16			
3608	.105	1-3/8	1-3/4	7/32	1/16			
3815	.105	1-13/16	2-1/8	3/32	1/16			
3923	.162	1-5/8	2	3/16	1/16			
3936	.187	2-1/2	3-3/8	1/4	1/16			
3939	.162	1-7/16	2	9/32	1/16			
3988	.187	2-3/4	3-1/2	5/8	1/16			
5052	.162	1-1/4	1-3/4	3/16	1/16			
5084	.120	1-3/8	1-3/4	3/16	1/16			
5154	.148	3-3/8	3-7/8	5/16	1/16			
5209	.072	2-7/16	2-3/4	3/32	1/16			
5217	.120	5-1/2	6	5/16	1/16			
5219	.162	1-1/4	2	3/16	1/16			
5230	.177	1-3/8	1-7/8	9/32	1/16			
5251	.156	1-5/32	1-11/16	1/4	1/16			
5416	.120	2-3/8	2-7/8	3/16	1/16			
5547	.148	1-7/8	2-3/8	3/16	1/16			
5586	.120	4-5/8	6-1/16	1	1/16			
5587	.156	5-1/2	6	5/16	1/16			
5650	.105	1	1-1/2	3/16	1/16			
5676	.148	15/16	1-7/16	3/16	1/16			
5679	.062	3/4	1	3/32	1/16			
5682	.120	2-1/2	3-1/8	7/32	1/16			
5691	.105	3-1/4	3-5/8	1/8	1/16			
5725	.128	5-1/4	5-3/4	1/4	1/16			
5734	.135	1-3/8	1-25/32	3/16	1/16			
5797	.120	1-1/2	2-1/8	3/8	1/16			
5806	.162	1-3/8	1-7/8	3/16	1/16			
5890	.091	4-3/4	5-1/4	3/8	1/16			
5895	.128	4	4-3/4	1	1/16			
5975	.091	1-3/8	1-11/16	3/16	1/16			
5979	.125	2-1/4	2-3/4	1/4	1/16			
5999	.120	3-3/4	4-3/4	5/16	1/16			
6042	.105	2-13/16	3-13/16	1/8	1/16			
6046	.162	1-1/4	1-3/4	5/16	1/16			
6049	.072	13/32	11/16	1/8	1/16			
6124	.156	3-15/16	4-1/4	3/16	1/16			
6144	.120	2-7/16	2-7/8	3/16	1/16			
6148	.148	1-3/16	1-11/16	1/4	1/16			
6159	.162	1-1/2	2	3/16	1/16			

Right Hand Round Eye Pigtail-Plain Shank						Commonly in Stock		
Part #	W	A	B	C	S			
6235	.120	4-1/4	4-13/16	5/16	1/16			
6440	.120	1-3/8	1-7/8	1/4	1/16			
6456	.120	1-5/8	2-1/8	3/8	1/16			
6592	.062	7-7/8	8	1/8	1/16			
6639	.156	3-1/16	3-5/16	3/16	1/16			
6680	.156	7-7/16	8	3/8	1/16			
6694	.135	2-3/8	2-15/16	3/16	1/16			
6716	.120	2-5/16	2-13/16	3/16	1/16			
6782	.156	7-1/2	8	5/16	1/16			
6880	.062	5/8	13/16	3/32	1/16			
7119	.128	1-1/2	2	1/4	1/16			
7160	.162	1-9/16	2	7/32	1/16			
7198	.128	1-7/8	2-1/4	3/16	1/16			
7254	.148	1-1/8	1-5/8	5/32	1/16			
7281	.062	1-1/4	1-5/8	3/16	1/16			
7413	.128	2-13/16	3-7/16	1/2	1/16			
7579	.156	2-3/8	2-15/16	1/4	1/16			
7581	.091	13/16	1-1/8	3/16	1/16			
7647	.156	9-3/4	10-1/8	3/16	1/16			
7692	.156	4-7/8	5-13/16	3/4	1/16			
7697	.105	1-5/8	2-1/16	5/64	1/16			
7719	.128	3-1/4	3-11/16	1/2	1/16			
7793	.156	3-7/16	4-1/4	3/4	1/16			
8155	.120	3-3/8	4-1/8	5/16	1/16			
8160	.105	7	7-1/2	1/4	1/16			
8173	.120	2	3	3/16	1/16			
8222	.148	1-1/8	1-5/8	3/16	1/16			
8353	.135	5-1/4	6	1/4	1/16			
8373	.135	1-1/4	1-3/4	3/16	1/16			
8377	.091	1-3/8	1-5/8	1/8	1/16			
8384	.148	2-1/4	2-3/4	3/16	1/16			
8387	.148	5-7/8	6-7/16	5/16	1/16			
8390	.120	1	1-7/16	3/16	1/16			
8404	.125	6-1/2	7	3/16	1/16			
8415	.148	6-7/8	7-7/16	5/16	1/16			
8880	.156	3-5/8	4-1/8	5/16	1/16			
9063	.187	3	3-5/8	1/4	1/16			
9066	.156	1-1/4	1-3/4	3/8	1/16			
9146	.148	2-1/2	3-1/4	5/16	1/16			
9182	.156	3-1/4	3-3/4	5/16	1/16			
9304	.072	3/4	1	1/4	1/16			
1265	.162	3-1/4	3-3/4	5/16	1/16			
1332	.162	3-1/2	4	9/32	1/16			
1346	.162	3-5/8	4-1/16	9/32	1/16			
1502	.162	2-7/8	3-1/4	1/4	1/16			
1505	.162	5-3/8	5-7/8	5/16	1/16			
1562	.162	3-1/2	4-1/16	7/32	1/16			

Right Hand Round Eye Pigtail-Plain Shank						Commonly in Stock		
Part #	W	A	B	C	S			
1570	.162	2-31/32	3-3/8	3/16	1/16			
1588	.162	3-7/8	4-3/8	9/32	1/16			
1648	.162	3	3-1/2	5/16	1/16			
1733	.162	6-1/8	6-5/8	7/32	1/16			
1801	.162	2-3/4	3-1/4	5/16	1/16			
1933	.162	3-3/4	4-1/4	5/16	1/16			
1963	.162	4-3/4	5-1/4	5/16	1/16			
2026	.162	2-13/16	3-5/16	3/16	1/16			
2028	.162	3	3-1/2	3/16	1/16			
2087	.162	4	4-5/8	5816	1/16			
2147	.162	2-1/2	3	5/16	1/16			
2169	.162	4-1/4	4-7/8	5/16	1/16			
2179	.162	3-9/32	3-3/4	5/16	1/16			
2205	.162	4-5/16	4-13/16	3/16	1/16			
2209	.162	8-5/8	9	3/16	1/16			
2210	.162	4-27/32	5-5/16	3/16	1/16			
2231	.162	4	4-1/2	5/16	1/16			
2251	.162	3-1/2	4	3/16	1/16			
2268	.162	5-1/16	5-9/16	5/16	1/16			
2273	.162	4-3/8	4-15/16	9/32	1/16			
2285	.162	2-5/8	3-1/16	1/4	1/16			
2301	.162	4-13/32	4-7/8	3/16	1/16			
2324	.162	3-1/8	3-5/8	1/4	1/16			
2358	.162	4-3/4	5-5/16	9/32	1/16			
2359	.162	5	5-5/8	9/32	1/16			
2377	.162	3-1/2	4-1/8	9/32	1/16			
2422	.162	4-3/4	5-3/8	9/32	1/16			
2468	.162	4-7/8	5-3/8	3/16	1/16			
2486	.162	2-1/4	2-13/16	1-4	1/16			
2512	.162	1-3/4	2-5/16	1/4	1/16			
2515	.162	1-3/4	2-3/8	3/16	1/16			
2543	.162	4-5/16	4-7/8	3/16	1/16			
2550	.162	3-3/4	4-1/8	3/16	1/16			
2557	.162	3-9/16	4	1/2	1/16			
2670	.162	2-1/4	2-11/16	3/16	1/16			
2697	.162	3-1/4	4-1/16	5/8	1/16			
2698	.162	3-1/4	4-1/8	3/4	1/16			
2716	.162	1-13/16	2-3/8	3/16	1/16			
2795	.162	4-1/2	5	3/16	1/16			
2850	.162	7	7-1/2	5/16	1/16			
2950	.162	3-9/16	5-1/4	1/4	1/16			
2958	.162	8-1/2	9	1/4	1/16			
2969	.162	2-1/2	3-1/8	1/4	1/16			
2971	.162	4-3/4	5-1/8	3/16	1/16			
3034	.162	3-5/8	4-1/8	3/16	1/16			
3050	.162	2-11/16	3-3/16	3/16	1/16			
3065	.162	3	3-3/8	3/16	1/16			

Right Hand Round Eye Pigtail-Plain Shank						Commonly in Stock		
Part #	W	A	B	C	S			
3121	.162	4-1/8	4-5/8	5/16	1/16			
3142	.162	4	4-7/16	3/16	1/16			
3196	.162	4-7/8	5-5/16	3/16	1/16			
3349	.162	2-7/8	3-3/8	5/16	1/16			
3358	.091	1-1/4	1-5/8	3/16	1/16			
3396	.162	3-5/16	4	5/16	1/16			
3498	.162	3-3/16	3-11/16	3/16	1/16			
3504	.162	4-1/2	4-15/16	3/16	1/16			
3518	.162	2-11/16	3-1/8	3/16	1/16			
3548	.162	2	2-1/2	3/16	1/16			
3777	.162	2-1/8	2-5/8	1/4	1/16			
3783	.162	5-1/32	5-1/2	5/16	1/16			
3869	.177	5-1/2	6-1/8	3/8	1/16			
3877	.162	2-1/2	3-3/16	1/2	1/16			
3892	.162	2-1/4	2-3/4	5/16	1/16			
3946	.162	2-7/8	3-3/8	1/4	1/16			
5007	.162	2-11/16	3-1/8	3/16	1/16			
5013	.177	1-5/8	2-3/32	3/16	1-16			
5032	.105	2-7/8	3-1/4	3/16	1/16			
5076	.177	2-1/16	2-1/2	3/16	1/16			
5119	.162	3-17/32	4-1/16	5/16	1/16			
5189	.162	2-9/16	3-1/2	1	1/16			
5229	.177	2-1/2	3	9/32	1/16			
5267	.162	5-5/16	5-15/16	3/8	1/16			
5325	.162	2-7/8	3-3/8	3/8	1/16			
5375	.162	4-5/8	5-3/16	5/16	1/16			
5430	.177	2-3/4	3-1/4	9/32	1/16			
5538	.162	5-1/8	5-5/8	5/16	1/16			
5561	.162	5	5-3/4	1/2	1/16			
5564	.187	3-1/16	3-1/2	3/16	1/16			
5587	.187	2-1/8	2-13/16	1/2	1/16			
5598	.162	2-3/4	3-11/16	1	1/16			
5633	.162	2-9/16	3-1/16	3/16	1/16			
5638	.162	6	6-1/2	5/16	1/16			
5701	.162	6-1/2	7	5/16	1/16			
5715	.162	4-1/4	4-15/16	3/8	1/16			
5719	.162	3-1/16	3-9/16	1/4	1/16			
5746	.162	2-3/4	3-1/4	1/4	1/16			
5747	.162	2-3/4	3-3/16	7/32	1/16			
5790	.162	3-5/16	4	5/16	1/16			
6023	.162	1-7/8	2-3/8	7/32	1/16			
6283	.162	3-1/4	3-3/4	3/16	1/16			
6350	.162	2-7/16	2-7/8	1/4	1/16			
6420	.162	3-29/32	4-13/32	5/16	1/16			
7044	.162	2-1/2	3	3/16	1/16			
7165	.162	6-1/4	6-5/8	3/32	1/16			
7166	.162	5-3/8	5-3/4	3/32	1/16			

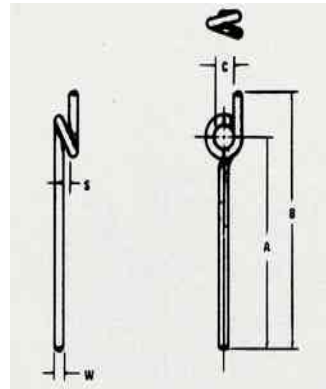
Right Hand Round Eye Pigtail-Plain Shank						Commonly in Stock		
Part #	W	A	B	C	S			
7200	.187	3-5/8	4-3/16	1/4	1/16			
7456	.177	5-1/4	6-1/8	3/8	1/16			
7539	.187	1-25/32	2-11/32	1/2	1/16			
7769	.177	2-1/2	3	3/16	1/16			
8182	.162	2-11/16	2-15/16	3/16	1/16			
8205	.187	1-1/4	1-3/4	1/4	1/16			
8219	.187	3-3/4	4-1/4	1/4	1/16			
8268	.162	2-1/16	2-5/8	3/8	1/16			
8459	.162	7	7-3/4	5/16	1/16			
8778	.162	2	2-5/8	7/16	1/16			
8783	.162	4-1/2	5	5/16	1/16			
8929	.162	5-3/4	6-5/16	1/4	1/16			
9143	.187	2-1/4	3	1/4	1/16			
9144	.187	3-1/2	4	1/4	1/16			
9194	.187	3	2-3/4	3/16	1/16			
9214	.187	3-5/8	4-1/4	1/4	1/16			
9317	.162	5-3/4	6-1/4	1/4	1/16			
9318	.162	8-1/2	9	1/4	1/16			
9420	.187	2-1/4	2-7/8	3/8	1/16			
5013	.177	1-5/8	2-3/32	3/16	1/16			
5076	.177	2-1/16	2-1/2	3/16	1/16			
5229	0.177	2-1/2	3	9/32	1/16			
7769	.177	2-1/2	3	3/16	1/16			
5430	.177	2-3/4	3-1/4	9/32	1/16			
7456	3177	5-1/4	6-1/8	3/8	1/16			
3869	.177	5-1/2	6-1/8	3/8	1/16			
8205	.187	1-1/4	1-3/4	1/4	1/16			
7539	.187	1-25/32	2-11/32	1/2	1/16			
5587	.187	2-1/8	2-13/16	1/2	1/16			
9143	.187	2-1/4	3	1/4	1/16			
9420	.187	2-1/4	2-7/8	3/8	1/16			
3936	.187	2-1/2	3-3/8	1/4	1/16			
3988	.187	2-3/4	3-1/2	5/8	1/16			
9063	.187	3	3-5/8	1/4	1/16			
9194	.187	3	3-3/4	3/16	1/16			
5564	.187	3-1/16	3-1/2	3/16	1/16			
9144	.187	3-1/2	4	1/4	1/16			
7200	.187	3-5/8	4-3/16	1/4	1/16			
9214	.187	3-5/8	4-1/4	1/4	1/16			
8219	.187	3-3/4	4-1/4	1/4	1/16			
5313	.187	3-7/8	5-1/8	5/8	1/16			
7391	.187	4	4-5/8	1/4	1/16			
2636	.187	4	4-3/4	5/8	1/16			
7207	.187	4-3/8	4-7/8	1/4	1/16			
8171	.187	4-3/8	6	3/8	1/16			
6734	.187	5	5-3/8	1/4	1/16			
6201	.187	5-1/8	6-1/16	3/8	1/16			

Right Hand Round Eye Pigtail-Plain Shank						Commonly in Stock		
Part #	W	A	B	C	S			
2330	.187	5-1/4	6	5/8	1/16			
7514	.187	5-5/8	7	2	1/16			
2637	.187	7-3/4	8-1/2	5/8	1/16			
5176	.250	1-7/8	2-5/8	1/2	1/16			
9069	.250	2-9/16	3-1/2	7/16	1/16			
9163	.250	3-1/2	4-5/16	1/4	1/16			
2554	.250	3-1/2	4-1/2	1/2	1/16			
2476	.250	4-7/8	5-1/2	1/4	1/16			
3068	.250	6-1/4	7	1/4	1/16			
9324	.250	9	9-3/4	1/4	1/16			
9334	.312	2-1/2	4	1-3/8	1/16			
2785	.312	4	5-1/2	3/4	1/16			
9344	.312	6	7-1/4	1/2	1/16			

Left Hand Round Eye - Plain Shank

Commonly in Stock

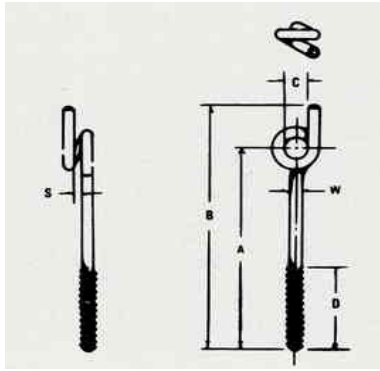
Part #	W	A	B	C	S
7582	.091	13/16	1-1/8	3/16	1/16
3359	.091	1-1/4	1-5/8	3/16	1/16
2615	.091	1-1/4	1-11/16	3/16	1/16
2164	.091	1-5/16	1-3/4	1/8	1/16
2849	.091	1-3/8	1-15/16	9/16	1/16
8376	.091	1-3/8	1-7/8	1/8	1/16
1619	.091	1-3/8	2	9/16	1/16
274	.091	2-1/16	2-1/2	1/8	1/16
9095	.091	2-1/4	2-3/4	3/16	1/16
3609	.105	1-3/8	1-3/4	7/32	1/16
3814	.105	1-13/16	2-1/8	3/32	1/16
8350	.105	7	7-1/2	1/4	1/16
8326	.105	9	9-1/2	1/4	1/16
2256	.120	7/8	1-5/16	3/16	1/16
846	.120	1-7/16	1-5/16	3/16	1/16
5796	.120	1-1/2	2-1/8	3/8	1/16
3155	.120	1-13/16	2-3/8	5/16	1/16
5798	.120	2	2-5/8	3/8	1/16
8965	.120	2-3/8	2-15/16	5/16	1/16
2440	.120	2-7/16	3	1/4	1/16
2367	.120	2-1/2	2-15/16	3/16	1/16
5492	.120	2-13/16	3-3/8	5/16	1/16
7459	.120	3	3-1/2	5/16	1/16
1534	.120	4	4-1/2	5/16	1/16
2223	.120	4-1/8	4-5/8	5/16	1/16
2718	.135	1-1/4	1-5/8	3/16	1/16
8374	.135	1-1/4	1-3/4	3/16	1/16
8354	.135	5-1/4	6	1/4	1/16
8115	.143	1-3/4	2-1/4	3/16	1/16
1129	.148	2-1/2	3-1/8	3/16	1/16
7839	.156	1	1-1/2	1/4	1/16
7657	.156	1-7/16	2	5/16	1/16
5331	.156	1-7/16	2	9/32	1/16
3151	.162	1-3/16	1-3/4	3/16	1/16
3786	.162	1-1/4	1-3/4	3/16	1/16
3150	.162	2	2-1/2	3/16	1/16
2738	.162	3-1/8	3-5/8	9/32	1/16
3257	.162	3-1/4	3-3/4	5/16	1/16
1563	.162	3-1/2	4-1/16	7/32	1/16
2379	.162	3-1/2	4-1/8	9/32	1/16
5131	.162	3-3/4	4-3/8	5/8	1/16
5424	.162	4	4-1/2	5/16	1/16
3314	.162	4-1/8	4-3/4	1/2	1/16
5404	.162	4-3/8	5	5/8	1/16
2381	.162	4-3/4	5-5/16	9/32	1/16
2378	.162	5	5-5/8	9/32	1/16
8750	.162	5	5-5/8	3/16	1/16



1831	.177	3-1/8	3-3/4	1/4	1/16
5737	.177	5-1/2	6-1/8	5/16	1/16
7891	.187	3-7/8	5-1/8	9/16	1/16
5889	.187	4-1/4	4-3/4	3/8	1/16
5890	.187	4-3/4	5-1/4	3/8	1/16
6931	.187	5-3/8	5-7/8	3/8	1/16
6952	.187	5-7/8	6-1/2	5/8	1/16
7290	.187	6-1/4	6-13/16	9/16	1/16

Right Hand Special Balloon Eye - Plain Shank

Part #	W	A	B	C	S
3663	.162	2-7/16	3-5/8	1-1/2	5/32
2098	.162	3-1/2	4-5/8	1-1/2	5/32
3114	.162	3-1/2	4-11/16	1-3/4	5/32
3084	.162	3-1/2	4-3/4	2	5/32
3289	.162	5-3/8	6-7/16	1-1/2	5/32



Commonly in Stock

Left Hand Round Eye-Mach Screw Threaded

Part #	W	A	B	C	D	Thread	S
6109	.105	1-1/4	1-9/16	3/16	1/8	4-36	1/16
2916	.105	1-5/8	2-1/8	5/32	13/16	4-36	1/16
8463	.115	1	1-29/64	3/16	3/8	6-32	1/16
8352	.115	1-3/16	1-9/16	1/8	1/2	6-32	1/16
8464	.115	1-1/2	1-61/64	3/16	1/2	6-32	1/16
6309	.115	2	2-1/2	5/64	1-1/2	6-32	1/16
8025	.115	2	2-3/8	1/8	1-1/2	6-32	1/16
8699	.115	1-5/16	3-1/4	1/8	5/8	6-32	1/16
1725	.120	1-1/8	1-9/16	3/16	1/2	5-40	1/16
5165	.120	1-5/16	1-3/4	1/8	13/16	5-40	1/16
3839	.120	1-5/16	1-13/16	1/4	3/4	5-40	1/16
1215	.120	1-1/2	2	5/32	1	5-40	1/16
3409	.120	1-3/4	2-1/4	3/16	3/4	5-40	1/16
7774	.125	1-7/8	2-1/4	3/8	1	5-40	1/16
2720	.135	1-1/4	1-3/4	3/16	3/4	6-32	1/16
3128	.135	1-5/16	1-7/8	1/4	3/4	6-32	1/16
2436	.135	1-7/16	1-7/8	3/16	1/2	6-32	1/16
265	.135	1-11/16	2-3/16	3/16	1	6-32	1/16
2530	.135	1-3/4	2-3/16	3/16	1-3/16	6-32	1/16
7523	.135	2	2-7/16	5/64	1-1/2	6-32	1/16
3126	.135	2-1/2	3	5/16	1/2	6-32	1/16
8433	.135	2-3/4	3-7/8	3/16	1-3/16	6-32	1/16
5085	.143	1-3/8	1-31/32	1/4	7/16	8-32	1/16
10-077	.143	1-3/4	2-1/4	1/2	3/4	8-32	1/16
7530	.143	1-3/4	2-1/4	3/16	1-1/4	8-32	1/16
3755	.162	13/16	1-1/4	1/4	5/16	8-32	1/16
2806	.162	15/16	1-1/2	1/4	3/8	8-32	1/16
1589	.162	1-1/16	1-1/2	1/4	5/8	8-32	1/16
2208	.162	1-3/16	1-11/16	1/4	5/8	8-32	1/16
3798	.162	1-1/4	1-11/16	1/4	5/8	8-32	1/16
6170	.162	1-1/2	2-1/8	7/32	1	8-32	1/16
3928	.162	1-9/16	2-3/16	1/4	1	8-32	1/16
3296	.162	1-11/16	2-5/16	9/32	1	8-32	1/16
9227	.162	1-3/4	2-1/4	3/16	1-1/4	8-32	1/16
2779	.162	1-3/4	2-5/8	1	3/4	8-32	1/16

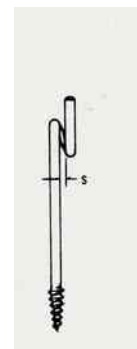
2161	.162	2	2-1/2	1/4	1-1/2	8-32	1/16
10-544	.162	2-1/4	2-3/4	1/4	1	8-32	1/16
3683	.162	3-1/4	3-13/16	9/32	2	8-32	1/16
8875	.162	3-5/16	3-27/32	1/4	1	8-32	1/16
7507	.162	1-1/4	1-3/4	3/16	3/4	10-24	1/16
9851	.162	1-1/4	1-3/4	3/16	3/4	10-24	1/16
3454	.162	1-11/16	2-5/32	1/4	1	10-24	1/16
3202	.162	1-3/4	2-3/8	3/16	1	10-24	1/16
10-186	.162	1-3/4	2-3/8	1/4	1-1/8	10-24	1/16
5006	.162	1-15/16	2-11/16	3/16	3/4	10-24	1/16
8356	.162	2	2-1/4	7/32	3/4	10-24	1/16
6003	.162	2-1/16	2-3/8	1/4	13/16	10-24	1/16
5683	.162	2-1/16	2-7/16	3/16	7/8	10-24	1/16
6077	.162	2-1/8	2-1/2	3/16	15/16	10-24	1/16
9844	.162	2-3/16	2-11/16	1/4	1	10-24	1/16
9514	.162	2-3/4	3-1/8	3/16	1	10-24	1/16
5008	.162	4-3/4	5-1/4	3/16	3/4	10-24	1-16
9162	.177	1	1-5/8	3/16	1/2	10-24	1/16
10-339	.177	1	1-5/8	1/4	1/2	10-24	1/16
5647	.177	1-1/4	1-3/4	1/4	3/4	10-24	1/16
3310	.177	1-11/16	2-1/4	5-16	7/8	10-24	1/16
7434	.177	1-15/16	2-3/8	1/4	1-3/8	10-32	1-16
9220	.177	2-3/16	2-3/4	5-16	1-3/8	10-24	1/16
10-042	.177	3-1/4	3-3/4	5/8	1-1/4	10-24	1/16
2803	.177	3-13/16	4-7/8	1/4	1	10-24	1/16
6564	.187	1-7/8	2-3/8	1/4	3/4	10-32	1/16
9621	.187	2	2-1/2	1/4	3/4	12-24	1/16
1176	.187	5-3/4	6-11/16	1/4	3/4	10-32	1/16
1140	.187	6-1/2	7-3/8	3/16	3/4	10-32	1/16
1178	.187	7	7-7/8	1/4	3/4	10-32	1/16
9627	.212	2-3/4	3-1/8	5/16	1	1/4-20	1/16
7072	.250	1-7/8	2-1/2	1/4	7/8	1/4-20	1/16
8203	.250	1-7/8	2-1/2	1/4	7/8	1/4-20	1/16
8916	.250	2	2-11/16	1/4	1	1/4-20	1/16
8158	.250	2-1/2	3-1/4	1/2	1-1/2	1/4-20	1/16

Right Hand Round Eye

- Woodscrew Threaded Shank

Commonly in Stock

Part #	W	A	B	C	S
3834	.105	1-1/16	1-7/16	1/16	1/16
2	.105	1-3/16	1-9/16	3/16	1/16
2497	.105	1-7/16	1-7/8	3/16	1/16
3833	.105	1-7/8	2-1/4	1/16	1/16
2099	.105	1-7/8	2-5/8	1	1/16
15	.105	1-15/16	2-3/8	3/16	1/16
8961	.120	31/32	1-5/16	5-32	1/16
3207	.120	1	1-3/8	1/8	1/16
3488	.120	1-1/16	1-3/8	1/8	1/16
8185	.120	1-1/4	1-3/4	1/8	1/16
7896	.120	1-3/8	1-11/16	3/16	1/16
3405	.120	2	2-7/16	3/16	1/16
51	.120	2-3/16	2-5/8	3/16	1/16
7787	.120	6-1/2	7	1/8	1/16
2197	.135	1-1/8	1-1/2	1/8	1/16
2584	.135	1-3/8	1-3/4	3/16	1/16
10	.135	1-7/16	1-13/16	3/16	1/16
2042	.135	1-1/2	1-7/8	3/16	1/16
1537	.135	1-1/2	1-15/16	3/16	1/16
2802	.135	1-5/8	2-1/8	3/16	1/16
584	.135	1-13/16	2-1/4	3/16	1/16
3482	.135	1-13/16	2-5/16	3/16	1/16
2583	.135	2	2-1/2	3/16	1/16
3427	.148	1-1/8	1-9/16	3/16	1/16
5335	.148	1-3/16	1-5/8	1/4	1/16
8398	.148	1-3/16	1-3/4	5/16	1/16
2445	.148	1-1/2	1-15/16	3/16	1/16
2514	.148	1-9/16	2	3/16	1/16
9	.148	1-5/8	2-1/8	1/4	1/16
1609	.148	1-11/16	2-1/4	3/16	1/16
2455	.148	1-13/16	2-5/16	1/4	1/16
1682	.148	1-7/8	2-3/8	1/4	1/16
2653	.148	1-15/16	2-3/8	1/4	1/16
2705	.148	2	2-1/2	1/4	1/16
2583	.148	2	2-1/2	3/16	1/16
17	.148	2-1/16	2-1/2	1/4	1/16
372	.148	2-1/4	2-3/4	1/4	1/16
2551	.148	2-5/16	2-13/16	3/16	1/16
383	.148	2-5/8	3	3/16	1/16
517	.148	2-5/8	3-3/16	1/4	1/16
145	.148	3	3-7/8	3/16	1/16
1559	.148	3-3/16	3-11/16	3/16	1/16



1876	.148	3-3/8	3-7/8	1/4	1/16
9493	.162	1-3/32	1-31/64	3/16	1/16
3997	.162	1-1/4	1-3/4	1/4	1/16
2751	.162	1-3/8	1-7/8	3/16	1/16
3137	.162	1-3/8	2	3/8	1/16
1612	.162	1-1/2	2	3/16	1/16
1555	.162	1-1/2	2	5/16	1/16
2048	.162	1-1/2	2	3/8	1/16
70	.162	1-9/16	2-1/8	5/16	1/16
5133	.162	1-5/8	2-1/8	7/32	1/16
5365	.162	1-5/8	2-1/8	3/16	1/16
1855	.162	1-5/8	2-3/16	3/16	1/16
2137	.162	1-3/4	2-3/16	3/16	1/16
2539	.162	1-3/4	2-3/16	3/16	1/16
8	.162	1-7/8	2-3/8	1/4	1/16
21	.162	1-7/8	2-1/2	1/2	1/16
1187	.162	1-7/8	2-9/16	7/16	1/16
72	.162	1-15/16	2-1/2	3/16	1/16
2477	.162	1-15/16	2-5/8	3/8	1/16
1556	.162	2	2-1/2	5/16	1/16
5368	.162	2	2-1/2	7/32	1/16
5055	.162	2	2-7/8	1	1/16
1591	.162	2-1/16	2-17/32	3/16	1/16
5490	.162	2-1/4	2-3/4	3/16	1/16
1580	.162	2-3/16	2-11/16	3/16	1/16
3052	.162	2-3/8	2-13/16	1/4	1/16
43	.162	2-3/8	3-1/16	1/2	1/16
2842	.162	2-7/16	3	3/8	1/16
1525	.162	2-1/2	3	3/16	1/16
1571	.162	2-5/8	3-3/16	1/4	1/16
6257	.162	2-5/8	3-1/8	1/2	1/16
127	.162	3-5/16	3-7/8	1/4	1/16
1506	.162	3-5/8	4-1/8	1/4	1/16
3390	.162	3-7/8	4-9/16	1/4	1/16
9079	.162	4-5/8	5-1/4	1/4	1/16
5206	.162	6-1/2	7	1/4	1/16
3059	.187	1-7/8	2-1/2	1/4	1/16
3283	.187	1-7/8	2-1/2	5/16	1/16
1731	.187	2	2-1/2	3/16	1/16
1108	.187	2	2-1/2	1/4	1/16
1109	.187	2-1/4	2-3/4	1/4	1/16
1188	.187	2-1/4	3	7/16	1/16
1614	.187	2-1/2	3-1/16	1/4	1/16
3816	.187	2-5/8	3-3/16	1/4	1/16
82	.187	3	3-9/16	3/16	1/16
8513	.187	5	5-9/16	1/4	1/16
1699	.187	6-1/4	7	1/2	1/16
3688	.187	6-5/16	7	1/2	1/16

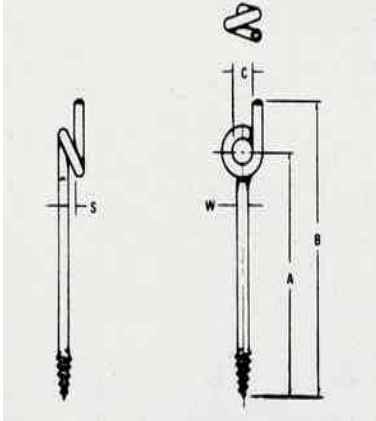
3704	.187	6-3/8	7-1/16	1/4	1/16
2242	.187	6-1/2	7	1/4	1/16
3689	.187	8-5/16	9	1/2	1/16

Left Hand Round Eye

- Woodscrew Threaded Shank

Commonly in Stock

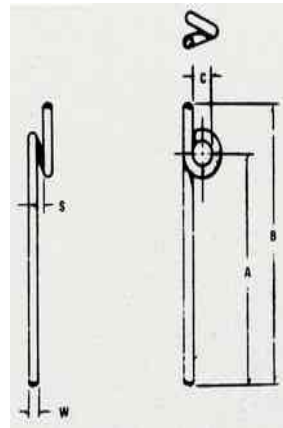
Part #	W	A	B	C	S
2159	.135	1-1/8	1-5/8	3/16	1/16
2502	.148	1-9/16	2	3/16	1/16
1504	.162	1-7/8	2-3/8	1/4	1/16
2552	.148	2-1/4	2-13/16	3/16	1/16
2362	.162	2-3/8	3-1/8	1/2	1/16
1572	.162	2-5/8	3-3/16	1/4	1/16



Right Hand Offset Eye - Plain Shank

Commonly in Stock

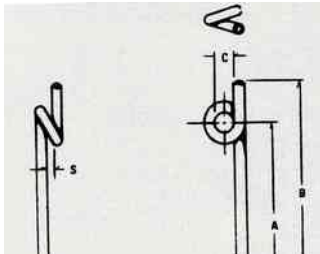
Part #	W	A	B	C	S
1386	.072	2-11/16	3	1/8	1/16
3414	.072	3-1/16	3-5/16	3/32	3/32
1526	.080	3	3-3/8	5/32	-
3110	.080	5-1/4	5-3/4	3/8	-
2245	.091	1-1/4	1-9/16	1/4	1/16
2025	.091	1-1/4	1-5/8	1/4	1/16
2192	.091	1-3/4	2-1/16	1/4	1/16
1360	.091	2-1/2	2-7/8	1/8	1/16
1585	.091	2-5/8	3	5/32	1/16
6715	.120	3/4	1-1/16	3/32	3/64
2775	.120	3/4	1-3/16	7/32	1/16
1368	.120	13/16	1-1/4	1/8	1/16
2171	.120	13/16	1-1/4	3/16	1/16
9485	.125	1-1/4	1-3/4	1/4	1/16
8593	.143	1-7/8	2-1/2	3/16	1/16
7777	.156	8-7/8	9-7/16	9/32	1/16
3014	.162	1-3/4	2-1/2	1/2	1/16
8543	.162	1-7/8	2-1/2	1/8	1/16
2390	.162	3-1/4	3-3/4	5/32	1/16
3027	.187	2-1/8	2-5/8	5-32	1/16
6216	.250	2-1/2	3	1/2	3/32

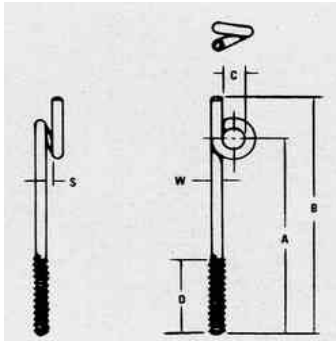


Left Hand Offset Eye - Plain Shank

Commonly in Stock

Part #	W	A	B	C	S
1361	.091	2-1/2	2-7/8	1/8	1/16
6367	.093	1	1-1/2	3/32	1/16
1451	.120	1-3/4	2-1/8	3/16	1/16
7133	.125	2-1/4	2-7/8	1/4	1/16
8914	.162	1-1/2	2-1/8	5/8	1/16
3948	.187	2-3/4	3-3/16	1/4	1/16





Right Hand Offset Eye - Machine Screw Threaded Shank

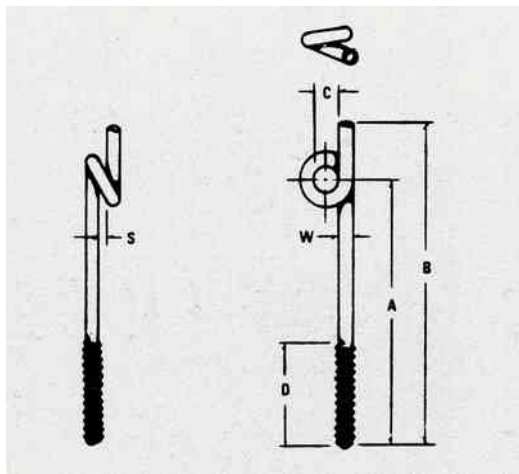
Commonly in Stock

Part #	W	A	B	C	D	S
8363	.115	1-7/8	2-1/4	3/16	5/18X6-32	1/16
8587	.115	1-7/8	2-1/4	3/16	7/8X6-32	1/16
8365	.115	1-7/8	2-5/16	5/16	6/8X6-32	1/16
8610	.115	1-7/8	2-5/16	5/16	7/8X6-32	1/16
8367	.115	1-7/8	2-9/16	3/4	5/8X6-32	1/16
8612	.115	1-7/8	2-9/16	3/4	7/8X6-32	1/16
8614	.115	1-7/8	2-9/16	1	7/8X6-32	1/16
8594	.115	2-7/8	3-1/4	3/16	7/8X6-32	1/16
8616	.115	2-7/8	3-5/16	5/16	7/8X6-32	1/16
8618	.115	2-7/8	3-9/16	3/4	7/8X6-32	1/16
8620	.115	2-7/8	3-9/16	1	7/8X6-32	1/16
2016	.120	25/32	1-1/8	1/8	3/8X5-40	1/16
6065	.120	7/8	1-5/16	3/16	1/2X5-40	1/16
5245	.120	7/8	1-1/4	1/8	9/16X5-40	1/16
2444	.120	15/16	1-1/4	1/8	9/16X5-40	1/16
3949	.120	15/16	1-5/16	1/8	7/16X5-40	1/16
2117	.120	15/16	1-5/16	1/8	1/2X5-40	1/16
2172	.120	15/16	1-5/16	3/16	5/16X5-40	1/16
3118	.120	1-5/8	2	1/8	1/2X5-40	1/16
2116	.120	2-3/8	2-3/4	1/8	2X5-40	1/16
8754	.135	5/8	1	5/32	7/16X4MM	1/16
8585	.135	7/8	1-1/4	3/16	1/2X6-32	1/16
9437	.135	1-1/16	1-5/8	3/8	9/16X6-32	1/16
7987	.156	3-1/8	3-11/16	1/2	1X8-32	1/16
3418	.162	1-1/4	1-3/4	3/16	5/8X8-32	1/16
1694	.162	1-1/4	1-3/4	3/16	3/4X8-32	1/16
6633	.162	1-1/2	1-13/16	3/16	1-1/4X8-32	1/16
1897	.162	1-1/2	2	3/16	1-1/4X8-32	1-16
1693	.162	1-3/4	2-3/16	3/16	1-1/4X8-32	1/16
6729	.162	1-3/4	2-1/8	3/16	1-3/8X8-32	1/16
5275	.162	1-13/16	2-9/16	5/16	5/8X8-32	1/16
2902	.162	1-7/8	4-1/8	1/4	1-3/16X8-32	1/16
5171	.177	1-7/8	2-3/8	7/32	1-1/2X10-32	1/16

2278	.177	1-7/8	2-3/8	7/32	1-1/2X10-32	1/16
2283	.177	7-13X13/16	7-7/8	1/4	11/16X10-24	1/16
2959	.203	1-5/8	2-3/16	1/4	1X12-24	1/16
8243	.236	2-1/8	3-1/4	5/16	1X6MM	1/16
8586	.243	2-1/8	3-1/4	5/16	1X1/4-20	1/16
8913	.250	1-5/8	3-3/8	3/8	1X1/4-20	1/16
2587	.250	2	2-5/8	1/2	1-1/4X1/4-28	1/16
9336	.250	2-3/8	3	3/8	1-1/4X1/4-28	1/16
2588	.250	2-1/2	3	1/2	1-3/4X1/4-28	1/16
2589	.250	2-15/16	3-1/2	1/2	1-3/4X1/4-28	1/16
7428	.312	4-5/16	5-1/2	7/16	3/4X5/16-1/	3/32

Left Hand Offset Eye - Machine Screw Threaded Shank

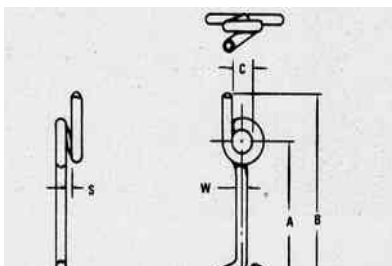
Part #	W	A	B	C	D	S
8364	.115	1-7/8	2-1/4	3/16	5/8X6-32	1/16
8588	.115	1-7/8	2-1/4	3/16	7/8X6-32	1/16
8366	.115	1-7/8	2-5/16	5/16	5/8X6-32	1/16
8611	.115	1-7/8	2-5/16	5/16	7/8X6-32	1/16
8613	.115	1-7/8	2-9/16	3/4	7/8X6-32	1/16
8368	.115	1-7/8	2-9/16	3/4	5/8X6-32	1/16
8595	.115	2-7/8	3-1/4	3/16	5/8X6-32	1/16
8617	.115	2-7/8	3-5/16	5/16	7/8X6-32	1/16
8619	.115	2-7/8	3-9/16	3/4	7/8X6-32	1/16
2974	.120	13/32	13/16	1/8	5/32X5-40	1/16
8275	.120	1-3/4	2-3/16	3/16	1/2X5-40	1/16
3419	.162	1-1/4	1-3/4	3/16	5/8X8-32	1/16
8711	.177	1-7/8	2-3/8	7/32	1-1/2X10-32	1/16
1514	.187	2	2-5/8	1/4	1-9/16X10-32	1/16
893	.187	2-1/16	2-5/8	1/4	1-1/2X10-32	1/16

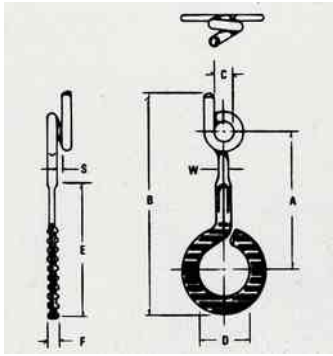


Right Hand Round Eye - Plain Ring Shank

Commonly in Stock

Part #	W	A	B	C	D	S
9369	.091	1-15/16	2	1/2	5/8	1/16
6339	.093	7/8	1-9/32	1/4	1/2	1/16
1510	.125	1-23/32	2-1/8	1/8	1/4	1/16
1872	.135	1-11/16	2-1/2	3/16	1/4	1/16
3927	.148	1-1/2	2	1/4	1/4	1/16
5130	.162	1-3/16	1-3/4	5/16	3/8	1/16
5183	.162	1-21/64	1-7/8	5/16	3/8	1/16
1520	.162	1-3/8	1-7/8	5/16	1/2	1/16
9133	.162	1-31/64	2-21/32	1	5/8	7/64
1903	.162	1-1/2	1-15/16	1/4	5/8	1/16
7717	.162	1-1/2	2	3/8	1/2	1/16
2243	.162	1-11/16	2-1/8	3/16	1/4	1/16
2975	.162	1-11/16	2-5/16	1/2	9/32	1/16
2243	.162	1-45/64	2-3/32	3/16	1/4	1/16
2973	.162	1-13/16	2-7/16	3/8	1/2	1/16
1519	.162	1-7/8	2-3/8	5/16	1/2	1/16
2608	.162	2	2-1/2	1/4	1/2	1/16
3991	.177	1-5/8	2-5/64	3/16	1/4	1/16
5531	.177	1-9/16	2-3/32	7/32	9/32	1/16
3258	.177	1-11/16	2-1/4	3/16	1/4	1/16
5764	.177	1-6/64	2-1/2	3/16	3/8	1/16
8349	.177	2-5/16	2-13/16	1/4	9/32	1/16
6727	.177	4-1/2	5-5/64	5/16	5/16	1/16
6175	.177	5-11/16	6-3/16	5/16	3/8	1/16



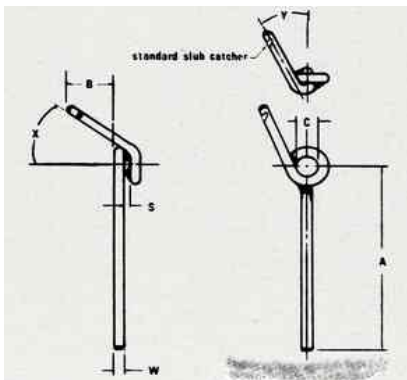


Right Hand Round Eye - Serrated Ring Shank Commonly in Stock

Part #	W	A	B	C	D	E	F	S
5487	.148	1-27/32	2-7/8	3/16	5/8	1-7/16	.125	1/16
2178	.162	1-15/32	2-15/32	3/16	5/8	1-1/2	.125	1/16
1867	.162	1-5/8	2-5/8	5/32	5/8	1-11/16	.125	1/16
2446	.162	1-5/8	2-5/8	1/4	5/8	1-11/16	.125	1/16
1673	.162	1-11/16	2-3/4	3/16	5/8	1-11/16	.125	1/16
1771	.162	1-11/16	2-11/16	1/4	5/8	1-11/16	.125	1/16
5003	.162	1-3/4	2-7/8	5/16	5/8	1-5/8	.125	1/16
1610	.162	1-13/16	2-13/16	3/16	5/8	1-11/16	.125	1/16
2337	.162	1-13/16	2-7/8	3/16	5/8	1-11/16	.125	1/16
1705	.162	1-27/32	2-7/8	3/16	5/8	1-11/16	.125	1/16
2482	.162	1-13/16	2-29/32	5/32	5/8	1-5/8	.125	1/16
2387	.162	1-15/16	2-29/32	5/32	5/8	1-5/8	.125	1/16
2356	.162	1-15/16	2-15/16	3/16	5/8	1-11/16	.125	1/16
2271	.162	1-15/16	2-7/8	3/16	5/8	1-11/16	.125	1/16
5418	.162	1-15/16	3-1/8	1/2	5/8	1-9/16	.125	1/16
1723	.162	1-31/32	3	3/16	5/8	1-5/8	.125	1/16
1945	.162	2	3	7/32	5/8	1-9/16	.125	1/16
2391	.162	2-3/32	3-3/32	5/32	5/8	1-11/16	.125	1/16
1674	.162	2-1/8	3-1/8	3/16	5/8	1-11/16	.125	1/16
1579	.162	2-5/32	3-1/8	7/32	5/8	1-11/16	.125	1/16
3193	.162	2-7/32	3-1/4	1/4	5/8	1-5/8	.125	1/16
5644	.162	2-1/4	3-3/4	1-3/16	5/8	1-5/8	.125	1/16
3604	.162	2-1/4	3-1/8	3/4	5/8	1-5/8	.125	1/16
1685	.162	2-15/16	3-5/16	5-32	5/8	1-5/8	.125	1/16
1669	.162	2-11/32	3-11/32	3/16	5/8	1-5/8	.125	1/16
2682	.162	2-1/2	3-9/16	5/16	5/8	1-5/8	.125	1/16
1710	.162	2-1/2	3-1/2	7/32	5/8	1-5/8	.125	1/16
1940	.162	2-1/2	3-1/2	1/4	5/8	1-5/8	.125	1/16
1670	.162	2-9/16	3-9/16	3/16	5/8	1-5/8	.125	1/16
2133	.162	2-3/4	3-3/4	3/16	5/8	1-5/8	.125	1/16
5253	.162	3-3/8	4-7/8	1-1/2	5/8	1-11/16	.125	1/16
6285	.162	3-11/16	4-13/16	1/4	5/8	1-11/16	.125	1/16
9342	.187	1-1/2	2-1/2	3/16	5/8	1-5/8	.125	1/16

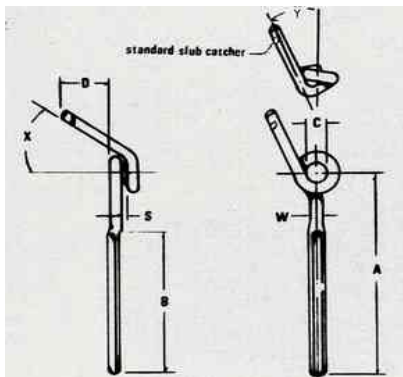
Round Pontiac Eye with Slub Catcher-Plain Shank

Part #	W	A	B	C	S	X	Y
7412	.148	1-13/16	-	3/8	3/32	45	45
7807	.148	1-7/8	7/32	1/4	1/16	45	45
6528	.148	2-1/16	1/4	1/4	1/16	45	45
3768	.148	2-1/2	5/16	3/16	1/16	22	55
7992	.156	2-1/8	29/32	7/32	1/16	15	20
5028	.162	1-1/8	11/16	1/4	1/16	17	10
5366	.162	1-15/16	25/32	1/4	1/16	12	20
5282	.162	2	7/16	1/4	1/16	50	11
2413	.162	2	13/16	1/4	1/16	10	0
5213	.162	2-1/32	5/8	1/4	1/16	20	27
6172	.162	2-1/16	3/8	7/32	1/16	34	30
6090	.162	2-1/16	19/32	1/4	1/16	14	9
3302	.162	2-1/8	11/16	1/4	1/16	0	30
3844	.162	2-1/8	13/16	5/16	1/16	5	20
6121	.162	2-3/16	3/4	7/32	1/16	0	35
7770	.162	2-5/16	7/8	1/4	1/16	10	5
9329	.162	2-3/8	7/8	1/4	1/16	12	4
6366	.162	2-3/4	7/8	1/4	1/16	10	16
6184	.162	2-25/32	27/32	7/32	1/16	3/	0
7373	.162	2-7/8	3/4	1/4	1/16	40	11
6338	.162	3	5/8	9/32	1/16	21	22



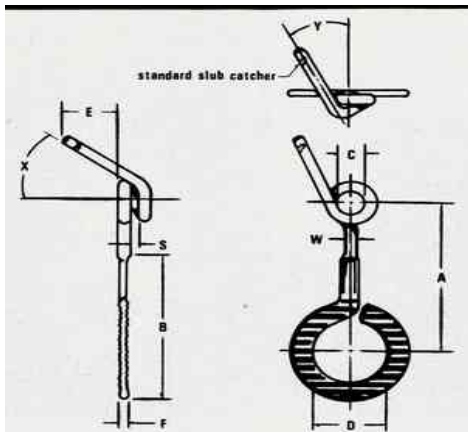
Round Pontiac Eye With Slub Catcher- Standard Triangular Stamped Shank

Part #	W	A	B	C	D	X	Y	S
2626	.143	1-3/4	1-1/4	1/4	21/32	17	14	1/16
5143	.143	2-1/32	1-9/16	3/16	5/8	17	29	1/16
5153	.143	2-3/32	1-13/32	3/16	3/4	10	20	1/16
3300	.143	1-3/4	1-1/4	3/16	27/32	7	11	1/16
5385	.148	1-11/16	1-1/4	7/32	3/4	17	20	1/16
2817	.148	1-11/16	1-15/64	3/16	5/8	15	0	1/16
7587	.148	1-51/64	1-5/16	3/16	3/4	10	23	1/16
3937	.148	1-51/64	1-3/16	7/32	11/16	10	22	1/16
6620	.148	1-53/64	1-3/8	7/64	0	3	75	1/16
8265	.148	1-13/16	1-1/16	3/16	5/8	8	17	1/16
3181	.148	1-13/16	1-15/64	15/64	11/16	14	11	1/16
5689	.148	1-7/8	1-1/4	1/4	13/16	0	20	1/16
2331	.148	1-7/8	1-5/16	3/16	7/8	0	13	1/16
9126	.148	1-15/16	1-11/32	7/32	1	20	27	1/16
3348	.148	1-61/64	1-1/4	1/4	13/16	15	22	1/16
2478	.148	2	1-1/4	1/4	3/4	12	20	1/16
7335	.148	2-1/64	1-7/16	3/16	3/4	2/	0	1/16
8265	.148	2-1/32	1-3/8	3/16	13/16	1/	13	1/16
6099	.148	2-1/32	1-1/2	1/4	11/16	11	37	1/16
6289	.148	2-1/16	1-9/16	1/4	3/4	17	34	1/16
2933	.148	2-3/32	1-1/4	3/16	13/16	6	16	1/16
5387	.148	2-3/32	1-11/32	5/16	9/16	6	36	1/16
5214	.148	2-1/8	1-5/16	1/4	27/32	20	41	1/16
5285	.148	2-5832	1-1/4	1/4	37/64	9	45	1/16
5789	.148	2-3/8	1-15/32	1/4	11/16	6	22	1/16
5303	.162	1-15/16	1-3/8	1/4	11/16	10	39	1/16
9138	.162	1-57/64	1-11/32	7/32	1	20	27	1/16



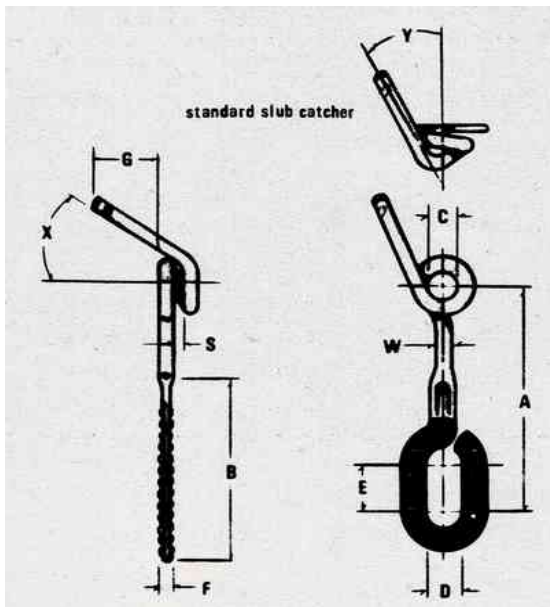
Round Pontiac Eye With Slub Catcher-Serrated Ring Shank

Part #	W	A	B	C	D	E	F	S	X	Y
5158	.148	1-1/2	1-5/8	1/4	5/8	1/2	1/8	1/16	33	28
3544	.148	1-5/8	1-3/4	1/4	5/8	3/4	1/8	1/16	30	30
5152	.148	1-3/4	1-3/4	1/4	5/8	3/4	1/8	1/16	18	13
5432	.148	1-3/4	1-1/2	1/4	5/8	13/16	1/8	1/16	10	22
6195	.148	1-3/4	1-5/8	1/4	5/8	11/16	1/8	1/16	15	13
1937	.148	1-3/4	1-1/2	1/4	5/8	5/8	1/8	1/16	13	38
2955	.148	1-3/4	1-5/8	7/32	5/8	23/32	1/8	1/16	4	21
6467	.148	1-13/16	1-3/4	1/4	5/8	3/4	1/8	1/16	17	29
2509	.148	1-57/64	1-3/4	7/32	5/8	11/16	1/8	1/16	0	13
6089	.148	1-29/32	1-5/8	3/16	5/8	5/8	1/8	1/16	32	4
3841	.148	1-15/16	1-1/2	3/16	5/8	3/4	1/8	1/16	15	12
3011	.148	2-1/16	1-5/8	7/32	5/8	1/2	1/8	1/16	13	25
3835	.156	1-29/32	1-3/4	1/4	5/8	3/4	1/8	1/16	20	30



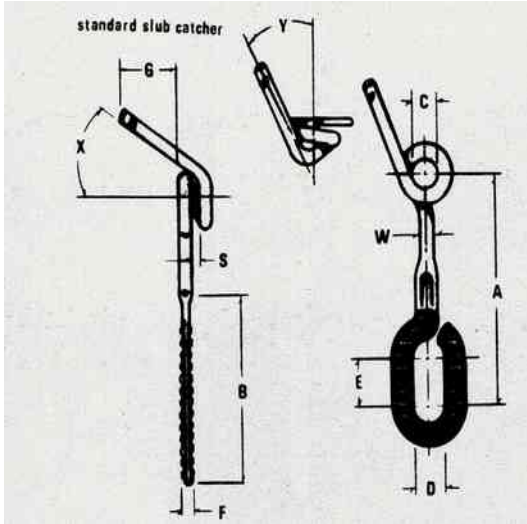
Round Pontiac Eye With Slub Catcher- Serrated Vertical Oblong Shank

Part #	W	A	B	C	D	E	F	G	X	Y	S
5077	.105	1-19/64	1-1/4	7/64	1/4	3/8	3/32	3/8	42	43	1/16
5236	.105	2-5/16	1-3/4	7/64	1/4	3/8	3/32	3/8	27	45	1/16
8250	.148	1-1/4	1-3/16	3/16	1/4	3/8	1/8	1/2	30	21	1/16
5959	.148	1-9/32	1-1/8	1/4	1/4	3/8	1/8	5/8	25	5	1/16
8598	.148	1-9/32	1-1/8	1/4	1/4	3/8	1/8	13/16	10	13	1/16
9343	.148	1-5/16	1-1/16	1/4	1/4	3/8	1/8	3/4	25	25	1/16
5821	.148	1-11/32	1-1/8	1/4	1/4	3/8	1/8	13/16	25	12	1/16



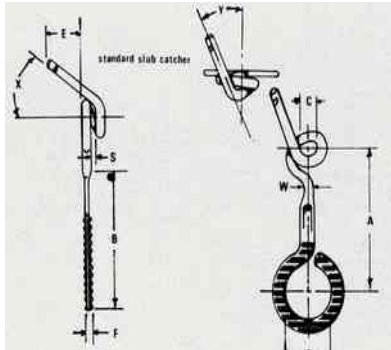
Round Pontiac Eye with Slub Catcher- Serrated Vertical Oblong Shank

Part #	W	A	B	C	D	E	F	G	X	Y	S
6290	.148	1-11/32	1-3/16	1/4	1/4	3/8	1/8	5/8	24	11	1/16
6500	.148	1-11/32	1-1/4	1/4	1/4	3/8	1/8	1/8	54	20	1/16
6400	.148	1-23/32	1-1/8	3/16	1/4	3/8	1/8	23/32	20	19	1/16
7637	.148	1-3/8	1-1/4	3/16	1/4	3/8	1/8	1/2	20	24	1/16
8159	.148	1-25/64	1-1/4	3/16	1/4	3/8	1/8	7/16	41	30	1/16
8195	.148	1-25/64	1-1/4	3/16	1/4	3/8	1/8	5/8	20	15	1/16
7878	.148	1-7/16	1-3/8	1/4	1/4	3/8	1/8	27/32	16	10	1/16
7995	.148	1-7/16	1-5/8	1/4	1/4	3/8	1/8	1/2	45	15	1/16
5287	.148	1-1/2	1-3/8	1/4	1/4	3/8	1/8	13/16	23	13	1/16
5821	.148	1-1/2	1-1/8	1/4	1/4	3/8	1/8	5/8	25	7	1/16
5881	.148	1-3/4	1-1/4	7/32	1/4	3/8	1/8	5/8	19	19	1/16
7478	.148	1-3/4	1-3/8	1/4	1/4	3/8	1/8	3/4	26	18	1/16
5391	.148	1-7/8	1-1/2	1/4	1/4	3/8	1/8	3/4	18	10	1/16
7698	.148	2	1-5/8	1/4	1/4	3/8	1/8	3/4	18	10	1/16
6164	.148	2-1/8	1-1/4	1/4	1/4	3/8	1/8	23/32	19	0	1/16
7660	.148	2-1/4	1-3/8	1/4	1/4	3/8	1/8	5/8	17	38	1/16
7460	.148	2-3/8	1-1/2	1/4	1/4	3/8	1/8	5/8	17	23	1/16
7682	.148	2-7/8	1-5/8	1/4	1/4	3/8	1/8	1/2	18	20	1/16



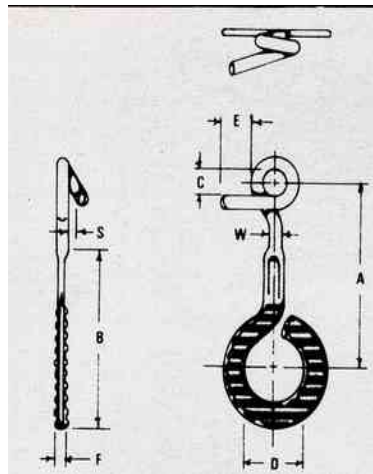
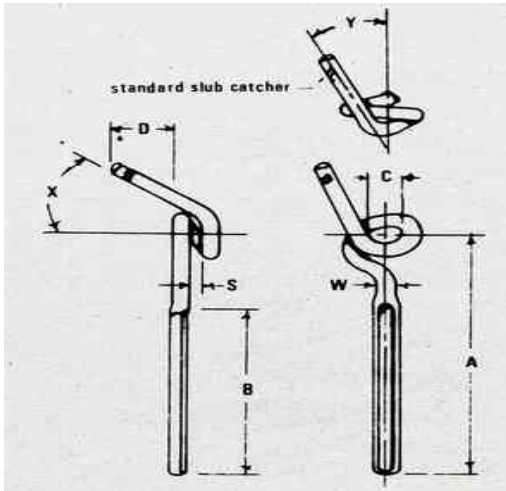
Teardrop Pontiac Eye with Slub Catcher-Serrated Ring Shank

Part #	W	A	B	C	D	E	F	S	X	Y
6156	.148	1-1/8	1-1/4	1/4	5/8	7/16	1/8	1/16	30	17
5996	.148	1-21/64	1-1/2	3/16	5/8	13/32	1/8	1/16	30	23
7502	.148	1-17/32	1-5/8	3/16	5/8	5/16	1/8	1/16	30	23
5494	.148	1-17/32	1-1/2	7/32	5/8	5/16	1/8	1/16	35	12
7801	.148	1-9/16	1-1/2	1/4	5/8	3/4	1/8	1/16	40	28
8020	.148	1-9/16	1-1/2	1/8	5/8	1/2	1/8	1/16	25	3
6171	.148	1-9/16	1-5/8	1/4	5/8	5/16	1/8	1/16	35	35
5305	.148	1-37/64	1-1/2	3/16	5/8	5/16	1/8	1/16	31	22
7656	.148	1-19/32	1-1/2	1/8	5/8	5/16	1/8	1/16	34	23
1991	.148	1-39/64	1-1/2	7/32	5/8	13/32	1/8	1/16	30	35
5265	.148	1-39/64	1-7/16	3/16	5/8	7/16	1/8	1/16	27	0
5208	.148	1-5/8	1-5/16	3/16	5/8	7/8	1/8	1/16	11	23
5449	.148	1-5/8	1-1/2	1/8	5/8	3/8	1/8	1/16	33	14
9116	.148	1-5/8	1-5/8	3/16	5/8	1/2	1/8	1/16	45	22
5461	.148	1-5/8	1-1/2	5/16	5/8	7/16	1/8	1/16	30	19
3896	.148	1-5/8	1-15/16	1/4	5/8	5/8	1/8	1/16	42	20
7325	.148	1-5/8	1-5/8	7/32	5/8	1/2	1/8	1/16	42	13
6504	.148	1-21/32	1-5/8	3/16	5/8	1/2	1/8	1/16	16	17
5431	.148	1-11/16	1-5/8	1/4	5/8	1/2	1/8	1/16	30	15
3480	.148	1-11/16	1-1/2	5/32	5/8	1/2	1/8	1/16	37	10
6861	.148	1-11/16	1-5/8	5/16	5/8	5/8	1/8	1/16	25	20
5988	.148	1-11/16	1-11/16	1/4	5/8	1/2	1/8	1/16	5	35
5833	.148	1-11/16	1-5/8	5/32	5/8	3/8	1/8	1/16	16	20
3552	.148	1-23/32	1-1/2	1/4	5/8	3/8	1/8	1/16	19	20
5000	.148	1-27/32	1-1/2	1/4	5/8	3/8	1/8	1/16	28	32
7559	.148	1-7/8	1-5/8	3/16	5/8	25/64	1/8	1/16	14	45



Teardrop Pontiac Eye with Slub Catcher -Triangular Stamped Shank

Part #	W	A	B	C	D	X	Y	S
6450	.143	1-31/32	1-1/4	3/16	13/32	28	14	1/16
5825	.148	1-3/4	1-1/8	15/64	13/32	31	5	1/16
3457	.148	2-3/16	1-3/8	1/4	5/16	21	11	1/16
6739	.148	2-11/32	1-1/2	1/4	15/16	13	12	1/16
3019	.148	2-11/32	1-1/4	7/32	11/16	11	14	1/16
3347	.148	2-3/8	1-11/32	1/4	3/8	22	20	1/16
3262	.162	2	1-3/8	1/4	3/4	5	11	1/16



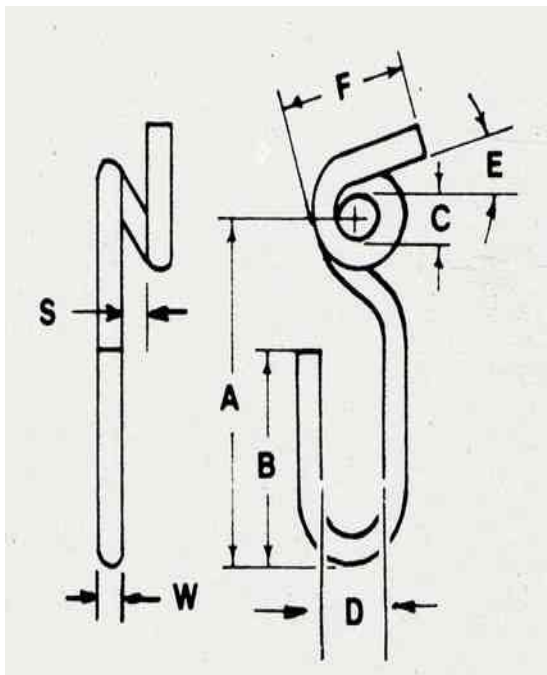
Round Eye Pigtail with 9 O'clock Tail-Serrated Ring Shank

Part #	W	A	B	C	D	E	F	S
5720	.156	1-5/8	1-1/2	3/16	5/8	15/16	1/8	1/16
1983	.156	1-7/8	1-1/2	7/32	5/8	15/16	1/8	1/16
5569	.156	1-15/16	1-5/8	3/16	5/8	15/16	1/8	1/16
3968	.162	1-7/8	1-7/8	7/32	5/8	9/32	1/8	1/16
3758	.162	2-1/4	1-5/8	3/16	5/8	7/32	1/8	1/16
7899	.162	2-15/32	1-1/2	5/16	5/8	1/4	1/8	1/16
3076	.162	2-7/8	1-7/8	1/4	5/8	9/32	1/8	1/16
8661	.162	3-1/4	1-7/8	1/4	5/8	3/16	1/8	1/16

Round Eye Pigtail With 2 O'clock Tail - Plain "U" Shank

Commonly in Stock

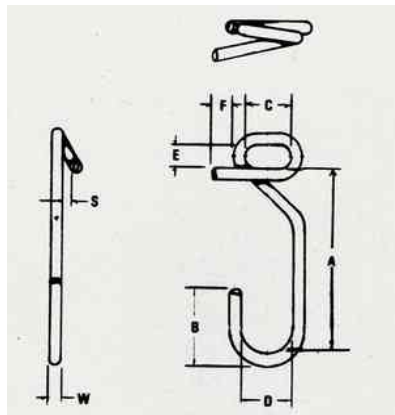
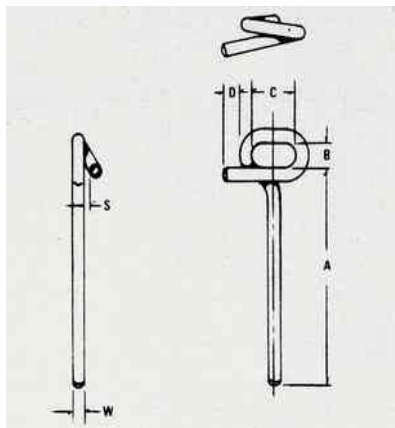
Part #	W	A	B	C	D	E	F	S
6051	.162	1-17/32	1-1/16	3/16	3/8	20	13/16	1/16
7584	.162	1-1/2	1-1/16	3/16	3/8	20	7/8	1/16
5876	.162	1-41/64	1	1/4	11/32	15	7/8	1/16
7528	.177	1-21/32	1-1/16	1/2	3/8	20	1-3/32	1/16
1557	.177	1-11/16	1-1/16	3/16	3/8	20	13/16	1/16
1593	.177	1-11/16	1-1/16	1/4	3/8	20	7/8	1/16
3729	.177	1-1/2	1-1/16	3/16	3/8	20	13/16	1/16
8297	.177	1-23/32	1-1/16	5/8	3/8	20	1-1/8	1/16
7808	.177	1-3/4	1	3/16	3/8	20	13/16	1/16
2830	.177	2	3/4	1/4	3/8	20	7/8	1/16
2297	.177	2	1-1/16	1/4	3/8	20	7/8	1/16
6199	.177	2-1/16	3/4	1/4	3/8	60	13/16	1/16
3996	.177	2-1/16	1	3/16	3/8	20	13/16	1/16
7014	.177	2-7/16	1	3/16	3/8	20	13/16	1/16
3303	.177	2-1/2	3/4	1/4	3/8	20	7/8	1/16
7346	.177	2-5/8	1-1/16	3/16	3/8	20	13/16	1/16
5111	.177	2-13/16	1	3/16	3/8	20	13/16	1/16
8151	.177	4-5/16	1-7/8	3/16	1/4	20	7/8	1/16



Horizontal Oblong Eye-Plain Shank

Commonly in Stock

Part #	W	A	B	C	D	S
7162	.156	4-1/2	3/16	1/2	1/4	1/16
2786	.162	7/8	3/16	11/16	1/8	1/16
1822	.162	1-1/2	3/16	1/2	3/16	1/16
6021	.162	2	1/4	9/16	3/16	1/16
5674	.162	2	5/32	7/16	1/4	1/16
1995	.162	2-1/4	5/32	9/32	1/8	1/16
5827	.162	2-7/8	3/16	3/8	3/16	1/16
5714	.162	2-7/8	5/32	7/16	5/16	1/16
2403	.162	2-31/32	3/16	7/16	3/16	1/16
5709	.162	3	1/4	9/16	3/16	1/16
1442	.162	.-1/4	5/32	1/2	1/4	1/16
2639	.162	3-13/32	5/32	7/16	1/4	1/16
2361	.162	3-7/8	1/4	1/2	5/32	1/16
1799	.162	4-3/8	5/32	1/2	1/4	1/16
5621	.177	3-1/16	1/4	11/32	1/4	1/16

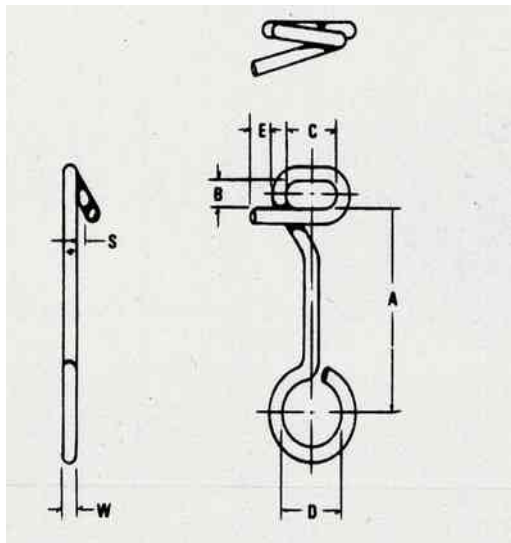


Horizontal Oblong Eye - Plain "U" Shank

Part #	W	A	B	C	D	E	F	S
5688	.143	1-5/8	1-1/8	7/16	7/16	3/16	5/16	1/16
2334	.162	1-27/32	1-1/8	1/2	23/64	5/32	3/32	1/16
2318	.177	1-7/32	7/8	3/8	3/8	7/32	1/4	1/16
1507	.177	1-7/32	13/16	1/2	5/16	3/16	1/4	1/16
2541	.177	1-3/8	11/16	13/32	15/32	3/16	15/64	3/16
2535	.177	1-9/16	3/4	7/16	3/8	3/16	3/32	1/16
2563	.177	1-13/16	11/16	13/32	15/32	3/16	15/64	3/16

Horizontal Oblong Eye - Plain Ring Shank

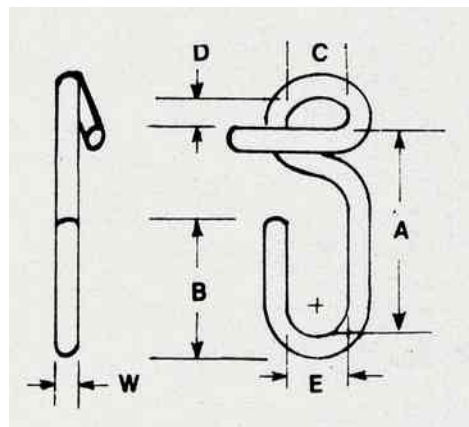
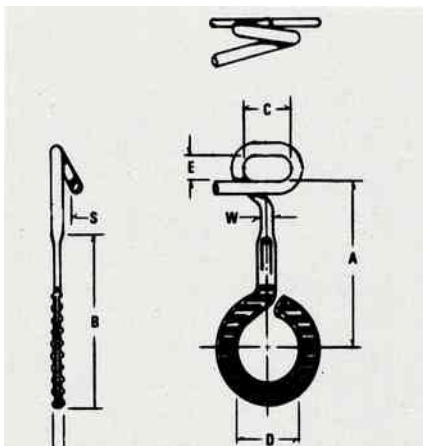
Part #	W	A	B	C	D	E	S
1072	.125	1-1/2	7/32	1/2	1/4	7/32	1/16
1898	.156	2-1/8	3/16	7/16	1/2	1/4	1/16
5273	.162	1-1/4	7/32	3/8	1/2	3/16	1/16
2560	.162	1-1/2	5/32	7/16	1/2	5/32	1/16
1615	.162	1-1/2	3/16	7/16	1/4	7/32	1/16
7636	.162	1-5/8	15/64	3/8	1/2	15/32	1/16
1558	.162	1-11/16	5/32	5/16	1/4	3/8	1/16
408	.162	1-23/32	5/32	7/16	1/2	11/32	1/16
5397	.162	1-29/32	3/16	13/32	1/2	7/32	1/16
6477	.162	1-3/4	3/16	7/16	7/16	3/16	1/16
5346	.162	1-7/8	3/16	5/16	1/2	7/32	1/16
1497	.162	1-15/16	5/32	7/16	1/2	1/4	1/16
1962	.162	1-15/16	3/16	13/32	1/2	5/16	1/16
3391	.162	2-3/8	5/32	13/32	1/4	3/16	1/16
5761	.162	2-3/4	3/16	7/16	1/2	1/4	1/16
1356	.177	1-3/8	1/4	3/8	1/4	5/16	1/16
6379	.177	1-5/8	1/4	13/32	5/16	1/8	1/16
3360	.177	1-19/32	13/16	7/16	1/4	3/16	1/16
3250	.177	1-5/8	7/32	3/8	1/4	3/16	1/16
1637	.177	1-11/16	5/32	7/16	1/4	3/16	1/16
3250	.177	1-5/8	7/32	3/8	1/4	3/16	1/16
1637	.177	1-11/16	5/32	7/16	1/4	3/16	1/16
1397	.187	1-19/32	3/16	7/16	1/4	1/4	1/16



Horizontal Oblong Eye-Serrated Ring Shank

Commonly in Stock

Part #	W	A	B	C	D	E	S
2484	.162	1-3/8	1-13/16	13/32	5/8	15/64	1/16
1101	.162	1-19/32	1-7/32	3/8	5/8	7/32	1/16
1865	.162	1-5/8	1-23/32	3/8	5/8	7/32	1/16
1611	.162	1-25/32	1-11/16	13/32	5/8	7/32	1/16
5129	.162	2	1-7/16	13/32	5/8	3/16	1/16
1587	.162	2	1-23/32	13/32	5/8	7/32	1/16
1586	.162	2-1/16	1-29/32	7/16	5/8	7/32	1/16
1425	.162	2-3/32	1-1/4	3/8	5/8	7/32	1/16
2113	.162	2-7/32	1-11/16	13/32	5/8	7/32	1/16
2399	.162	2-1/4	1-11/16	7/16	5/8	7/32	1/16
2009	.162	2-3/8	1-23/32	13/32	5/8	7/32	1/16
1659	.162	2-7/16	1-27/32	13/32	5/8	7/32	1/16
1672	.162	2-7/16	1-9/16	7/16	5/8	7/32	1/16
3940	.162	3-3/32	1-13/16	13/32	5/8	7/32	1/16



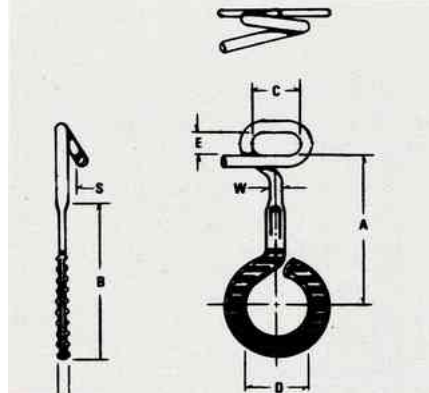
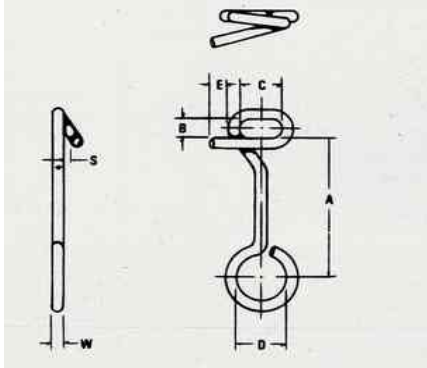
Horizontal Oval Eye - Plain "U" Shank

Part #	W	A	B	C	D	E
2410	.177	1-19/32	11/16	13/32	1/4	3/8
2846	.177	1-13/16	11/16	13/32	1/4	3/8
2739	.177	2-3/16	11/16	13/32	1/4	3/8
8910	.177	2-13/64	11/16	13/32	1/4	5/16

Horizontal Oval Eye - Plain Ring Shank

Commonly in Stock

Part #	W	A	B	C	D	E	F	S
5399	.091	3/4	1-1/2	13/32	7/32	1	1/2	1/16
6611	.093	1-1/8	1-7/8	13/32	7/32	51/64	1/2	1/16
6209	.162	1-7/8	2-55/64	13/32	7/32	59/64	33/64	1/16
9525	.162	1-15/16	2-49/64	3/8	1/4	31/32	1/2	1/16
5426	.177	2-1/16	2-3/4	1/2	1/4	1-1/16	1/4	1/16

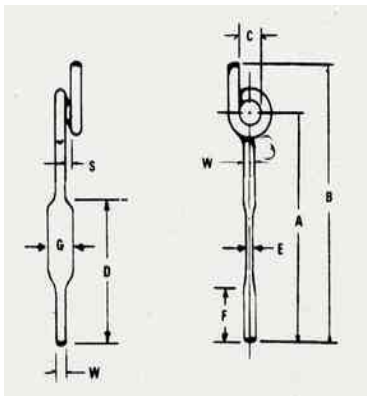


Horizontal Oval Eye with Serrated Ring Shank

Part #	W	A	B	C	D	E	S
6491	.148	1-5/16	7/8	13/32	1/4	5/16	1/16
6036	.162	1-17/32	1-11/16	13/32	7/32	5/8	1/16
6027	.162	1-27/32	1-11/16	13/32	7/32	5/8	1/16
6160	.162	2	2-1/8	13/32	7/32	5/8	1/16
7109	.162	2-1/32	1-11/16	13/32	7/32	5/8	1/16
8198	.187	1-15/16	1-11/16	1/2	1/4	5/8	1/16

Round Eye Pigtail Drop Wire Shank

Part #	W	A	B	C	D	E	F	G	S
15	.072	2-7/32	2-1/2	3/16	1-55/64	.022	5/8	.196	1/16
14	.078	2-13/64	2-1/2	3/16	1-31/32	.025	23/32	.250	1/16
7702	.078	2-3/8	2-11/16	3/16	1-31/32	.025	23/32	.250	1/16
6118	.092	2-7/32	2-9/16	3/16	1-27/32	.026	19/32	.263	1/16
7691	.093	2-1/2	3-1/16	1/4	2	.024	3/4	.286	1/16
8156	.093	2-3/8	2-11/16	3/16	1-31/32	.025	1/4	.285	1/16
7360	.115	2-9/32	2-5/8	3/16	1-29/32	.039	21-32	.285	1/16
6016	.115	2-13/32	2-15/16	3/8	1-13/16	.038	9/16	.280	1/16
7996	.115	2-15/32	2-27/32	3/16	2-1/32	.042	25/32	.243	1/16
8430	.115	2-1/2	2-15/16	5/16	1-7/8	.039	39/64	.278	1/16
6360	.115	2-1/2	3	3/16	2-1/16	.047	23/32	.266	1/16
11	.120	2-9/64	2-1/2	5/32	1-53/64	.043	35/64	.284	1/16
5018	.120	2-9/32	2-5/8	3/16	1-7/8	.045	5/8	.281	1/16
5987	.120	2-11/32	2-7/8	5/16	1-7/8	.045	39/64	.287	1/16
5660	.120	2-3/8	2-29/32	3/16	1-15/16	.036	11/16	.275	1/16
5400	.120	2-7/16	2-3/4	3/16	2	.038	13/16	.266	1/16
10	.125	2-13/64	2-17/32	3/16	1-53/64	.042	35/64	.300	1/16
7978	.125	2-3/8	2-11/16	3/16	1-31/32	.041	3/4	.293	1/16



Special Eye - Machine Screw Threaded Shank

Commonly in Stock

Part #	W	A	B	C	D
5234	.062	1-1/32	1/2X8-32	1/4	13/32
1640	.062	1-1/8	1/2X8-32	1/4	3/8
1981	.062	1-1/8	13/16X8-32	1/4	3/8
2704	.062	1-13/64	11/16X8-32	1/4	13/32
1960	.062	1-1/2	15/16X6/32	1/4	25/64
5415	.062	1-5/8	1X10-24	1/4	25/64
2097	.062	1-13/16	1-1/4X6-32	1/4	25/64
5114	.062	2	3/4X8/32	1/4	25/64
2096	.062	2-1/32	1-1/2X6-32	1/4	3/8
6527	.062	2-1/4	1-5/8X6-32	1/4	25/64
1909	.062	2-17/64	1X8-32	1/4	23/64
1861	.062	2-11/32	5/8X8-32	1/4	23/64
1858	.062	2-3/8	1-1/2X8-32	1/4	3/8
6398	.062	2-19/64	1-3/4X5-40	1/4	23/64
1896	.062	2-13/32	1X8/32	1/4	3/8
1351	.062	2-9/16	1X8-32	1/4	3/8
1636	.062	3-5/16	1-1/4X8-32	1/4	3/8
7367	.062	3-5/16	1-1/4X10-32	1/4	3/8
2782	.091	1-15/32	5/8X8-32	5/16	35/64
5141	.091	1-21/32	13/16X8-32	5/16	35/64
5422	.091	2-13/32	1-1/2X8/32	5/16	9/16
7766	.091	3-1/4	1/2X10-24	5/16	9/16

			6	1-5/16X10-24	7/16	1
--	--	--	---	--------------	------	---

